

EXPO
INOX

MS



SW

MONOPARETE INOX
SINGLE WALL INOX



SISTEMA MONOPARETE SW

Il sistema **monoparete SW** è composto da elementi componibili rigidi con finitura lucida BA, realizzati in acciaio inox austenitico AISI 316L BA (1.4404) di spessore minimo 0,4 mm conformi agli standard previsti dalla marcatura CE secondo la normativa EN 1856-1 ed EN 1856-2. Gli elementi modulari hanno innesto classico a bicchiere maschio-femmina calibrato con guarnizione di tenuta a triplice labbro, conforme alla normativa europea EN 14241-1, e giunzione meccanica con fascetta di sicurezza.

Riferimento normativo e designazione

Marcatura prodotto secondo normativa europea CE 0476 EN 1856-1 / EN 1856-2.

T200 P1 W V2 L50040* O 30 con guarnizione

T600 N1 W V2 L50040 G

T600 N1 W V2 L50040 G 500M

T200 H1 W V2 L50040 O30 con guarnizione speciale a richiesta

* La designazione può variare in funzione della qualità e dello spessore della materia prima come indica la tabella di seguito:

V2 AISI 316L		Vm AISI 304		INOX
EN 1856-1/2	EXPO INOX	EN 1856/1-2	EXPO INOX	
L50040	SW04	L20040	ESW04	0,4 mm
L50050	SW05	L20050	ESW05	0,5 mm
L50060	SW06	L20060	ESW06	0,6 mm
L50080	SW08	L20080	ESW08	0,8 mm
L50100	SW10	L20100	ESW10	1,0 mm

Utilizzo

Condotti, canali da fumo, camini metallici asserviti a generatori di calore di tipo atmosferico, pressurizzato, ad aria soffiata, tradizionali o a condensazione, cappe cucina per uso industriale o domestico, stufe a legna, caminetti, stufe a pellet.

Applicazione

Installazione interna.

Diametri disponibili - mm

SW04 spessore 0,4 mm

50 - 60 - 80 - 100 - 120 - 125 - 130 - 140 - 150 - 160 - 180 - 200

SW05 spessore 0,5 mm

220 - 250 - 300 - 350 - 400. Diametro 450 - 500 a richiesta

Fino al diametro 800 a richiesta

SINGLE WALL SW SYSTEM

Single wall SW system is composed by modular elements with BA surface finish, made of austenitic stainless steel AISI 316L BA (1.4404) minimum thickness of 0.4 mm, according to the standards set out by the European CE mark, EN 1856-1 and EN 1856-2. The modular elements have classic calibrate male-female junction, with triple seal lip gasket, conforming to European standard EN 14241-1, and mechanical connection with locking clamp.

Normative references and designation

Product marking according to the European standard CE 0476 EN 1856-1 / EN 1856-2.

T200 P1 W V2 L50040 O 30 with seal*

T600 N1 W V2 L50040 G

T600 N1 W V2 L50040 G 500M

T200 H1 W V2 L50040 O30 with special seal on request

** The designation may vary according to the quality and thickness of the raw material, as indicated in the table below:*

V2 AISI 316L		Vm AISI 304		INOX
EN 1856/1-2	EXPO INOX	EN 1856/1-2	EXPO INOX	
L50040	SW04	L20040	ESW04	0.4 mm
L50050	SW05	L20050	ESW05	0.5 mm
L50060	SW06	L20060	ESW06	0.6 mm
L50080	SW08	L20080	ESW08	0.8 mm
L50100	SW10	L20100	ESW10	1.0 mm

Utilizations

Ducts, flue pipes, metal chimneys, air conduction subservient to atmospheric heat generators, pressurized, air blown, traditional or condensing, industrial or domestic kitchen hoods, wood stoves, fireplaces or pellet stoves.

Application

Internal installation.

Available diameters - mm

SW04 thickness 0.4 mm

60 - 80 - 100 - 120 - 125 - 130 - 140 - 150 - 160 - 180 - 200

SW05 thickness 0.5 mm

220 - 250 - 300 - 350 - 400. Diameter 450 - 500 on request

Up to diameter 800 on request

MONOPARETE - SINGLE WALL AISI 316L

MSW



L316EXTA20S...

Elemento lineare da 2 m.

Pipe 2 m.



L316EXTA1S...

Elemento lineare da 1 m.

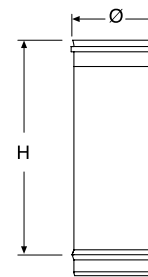
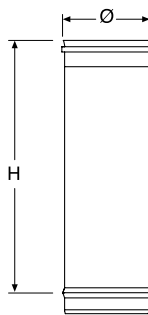
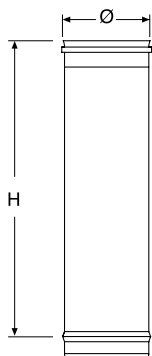
Pipe 1 m.



L316EXTA5S...

Elemento lineare da 0,50 m.

Pipe 0.50 m.



Ø	COD.	H	PCS	PCS PALLET
50	L316EXTA20S05	1940	6	150
60	L31604EXTA20S06	1940	6	150
80	L31604EXTA20S08	1940	6	96
100	L31604EXTA20S10	1940	6	60

Ø	COD.	H	PCS	PCS PALLET
50	L316EXTA1S05	940	6	144
60	L31604EXTA1S06	940	6	144
80	L31604EXTA1S08	940	6	72
100	L31604EXTA1S10	940	6	54
120	L31604EXTA1S12	940	6	36
125	L31604EXTA1S125	940	1	-
130	L31604EXTA1S13	940	6	24
140	L31604EXTA1S14	940	6	24
150	L31604EXTA1S15	940	6	24
160	L31604EXTA1S16	940	1	-
180	L31604EXTA1S18	940	1	-
200	L31604EXTA1S20	940	1	-
220	L316EXTA1S22	940	1	-
250	L316EXTA1S25	940	1	-
300	L316EXTA1S30	940	1	-
350	L316EXTA1S35	940	1	-
400	L316EXTA1S40	940	1	-
450	L316EXTA1S45	940	1	-
500	L316EXTA1S50	940	1	-

Ø	COD.	H	PCS
50	L316EXTA5S05	440	6
60	L31604EXTA5S06	440	6
80	L31604EXTA5S08	440	6
100	L31604EXTA5S10	440	6
120	L31604EXTA5S12	440	6
125	L31604EXTA5S125	440	1
130	L31604EXTA5S13	440	6
140	L31604EXTA5S14	440	6
150	L31604EXTA5S15	440	6
160	L31604EXTA5S16	440	1
180	L31604EXTA5S18	440	1
200	L31604EXTA5S20	440	1
220	L316EXTA5S22	440	1
250	L316EXTA5S25	440	1
300	L316EXTA5S30	440	1
350	L316EXTA5S35	440	1
400	L316EXTA5S40	440	1
450	L316EXTA5S45	440	1
500	L316EXTA5S50	440	1

Guarnizione compresa nel prezzo e nella fornitura
Items supplied with seal included



L316EXTA2S...

Elemento lineare da 0,25 m.

Pipe 0.25 m.



L316EXEPS4S...

Elemento telescopico.

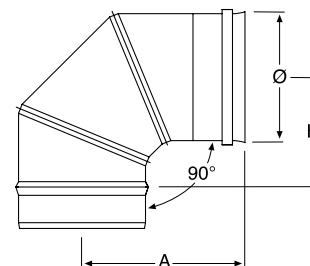
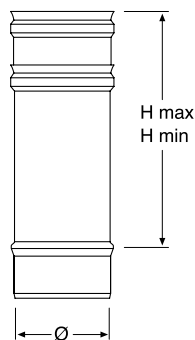
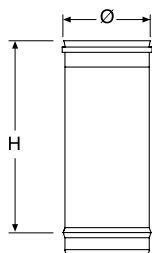
Adjustable pipe.



L316EXGA90X...

Curva a 90°.

Elbow 90°.



Ø	COD.	H	PCS
60	L31604EXTA2S06	190	6
80	L31604EXTA2S08	190	6
100	L31604EXTA2S10	190	6
120	L31604EXTA2S12	190	6
125	L31604EXTA2S125	190	1
130	L31604EXTA2S13	190	6
140	L31604EXTA2S14	190	6
150	L31604EXTA2S15	190	6
160	L31604EXTA2S16	190	1
180	L31604EXTA2S18	190	1
200	L31604EXTA2S20	190	1
220	L316EXTA2S22	190	1
250	L316EXTA2S25	190	1
300	L316EXTA2S30	190	1
350	L316EXTA2S35	190	1
400	L316EXTA2S40	190	1
450	L316EXTA2S45	190	1
500	L316EXTA2S50	190	1

Ø	COD.	H min	H max	PCS
60	#	#	#	#
80	L31604EXEPS4S08	250	350	1
100	L31604EXEPS4S10	250	350	1
120	L31604EXEPS4S12	250	350	1
125	L31604EXEPS4S125	250	350	1
130	L31604EXEPS4S13	250	350	1
140	L31604EXEPS4S14	250	350	1
150	L31604EXEPS4S15	250	350	1
160	L31604EXEPS4S16	250	350	1
180	L31604EXEPS4S18	250	350	1
200	L31604EXEPS4S20	250	350	1
220	L316EXEPS4S22	250	350	1
250	L316EXEPS4S25	250	350	1
300	L316EXEPS4S30	250	350	1
350	L316EXEPS4S35	250	350	1
400	L316EXEPS4S40	250	350	1
450	L316EXEPS4S45	250	350	1
500	L316EXEPS4S50	250	350	1

Ø	COD.	A	H	PCS
60	L31604EXGA90X06	133	79	6
80	L31604EXGA90X08	130	80	6
100	L31604EXGA90X10	145	95	6
120	L31604EXGA90X12	153	103	6
125	L31604EXG90X125	154	103	1
130	L31604EXGA90X13	155	105	6
140	L31604EXGA90X14	160	110	6
150	L31604EXGA90X15	163	113	6
160	L31604EXGA90X16	175	125	1
180	L31604EXGA90X18	180	130	1
200	L31604EXGA90X20	190	140	1
220	L316EXGA90X22	200	150	1
250	L316EXGA90X25	215	165	1
300	L316EXGA90X30	240	190	1
350	L316EXGA90X35	265	215	1
400	L316EXGA90S40	305	251	1
450	L316EXGA90S45	330	276	1
500	L316EXGA90S50	355	301	1

Ø 60 Guarnizione compresa nel prezzo e nella fornitura
Items supplied with seal included

Non disponibile
Not available

MONOPARETE - SINGLE WALL AISI 316L



Condensing

L316EXGA87X...

Curva a 87°.

Elbow 87°.



L316EXGA45X...

Curva a 45°.

Elbow 45°.

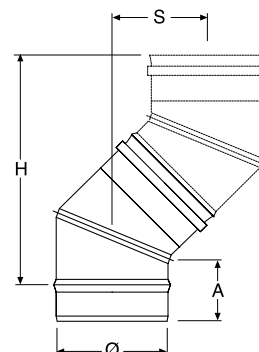
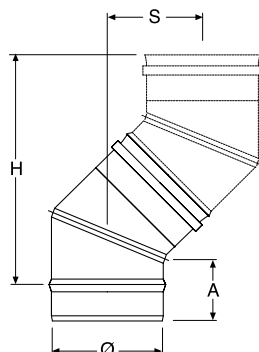
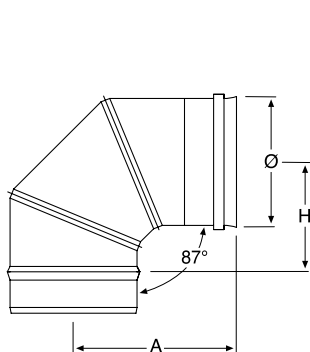


Condensing

L316EXGA42X... *

Curva a 42°.

Elbow 42°.



Ø	COD.	A	H	PCS
50	L31604EXGA87X05	133	79	6
60	L31604EXGA87X06	133	79	6
80	L31604EXGA87X08	130	80	6
100	L31604EXGA87X10	145	95	6
120	L31604EXGA87X12	153	103	6
125	L31604EXGA87X125	154	103	6
130	L31604EXGA87X13	155	105	6
140	L31604EXGA87X14	160	110	6
150	L31604EXGA87X15	163	113	6
160	L31604EXGA87X16	175	125	1
180	L31604EXGA87X18	180	130	1
200	L31604EXGA87X20	190	140	1
220	L316EXGA87X22	200	150	1
250	L316EXGA87X25	215	165	1
300	L316EXGA87X30	240	190	1
350	L316EXGA87S35	265	215	1
400	L316EXGA87S40	305	251	1
450	L316EXGA87S45	330	276	1
500	L316EXGA87S50	355	301	1

Ø	COD.	A	H	S	PCS
50	L31604EXGA45X05	#	#	#	#
60	L31604EXGA45X06	65	133	77	6
80	L31604EXGA45X08	65	202	83	6
100	L31604EXGA45X10	65	216	89	6
120	L31604EXGA45X12	65	230	95	6
125	L31604EXG45X125	65	235	96	1
130	L31604EXGA45X13	65	240	98	6
140	L31604EXGA45X14	65	244	101	6
150	L31604EXGA45X15	65	251	104	6
160	L31604EXGA45X16	65	258	107	1
180	L31604EXGA45X18	65	272	113	1
200	L31604EXGA45X20	65	286	119	1
220	L316EXGA45X22	65	301	124	1
250	L316EXGA45X25	65	322	133	1
300	L316EXGA45X30	65	357	148	1
350	L316EXGA45X35	65	389	161	1
400	L316EXGA45S40	65	425	176	1
450	L316EXGA45S45	65	460	190	1
500	L316EXGA45S50	65	495	220	1

Ø	COD.	A	H	S	PCS
50	L31604EXGA42X05	#	#	#	#
60	L31604EXGA42X06	65	196	90	1
80	L31604EXGA42X08	65	202	83	1
100	L31604EXGA42X10	65	216	89	1
120	L31604EXGA42X12	65	230	95	1
125	L31604EXG42X125	65	235	96	1
130	L31604EXGA42X13	65	240	98	1
140	L31604EXGA42X14	65	244	101	1
150	L31604EXGA42X15	65	251	104	1
160	L31604EXGA42X16	65	258	107	1
180	L31604EXGA42X18	65	272	113	1
200	L31604EXGA42X20	65	286	119	1
220	L316EXGA42X22	65	301	124	1
250	L316EXGA42X25	65	322	133	1
300	L316EXGA42X30	65	357	148	1
350	L316EXGA42S35	65	389	161	1
400	L316EXGA42S40	65	425	176	1
450	L316EXGA42S45	65	460	190	1
500	L316EXGA42S50	65	495	220	1

Ø 60 Guarnizione compresa nel prezzo e nella fornitura
Items supplied with seal included

* A richiesta
On request

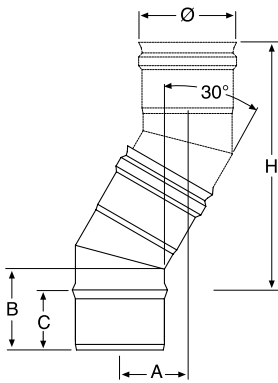
Non disponibile
Not available



L316EXGA30S...

Curva a 30°.

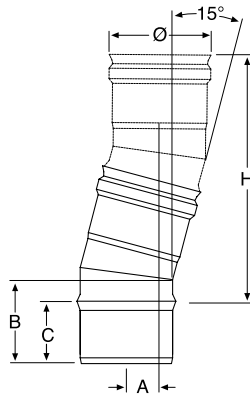
Elbow 30°.



L316EXGA15S...

Curva a 15°.

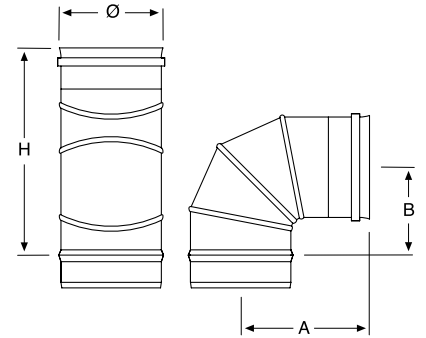
Elbow 15°.



L316EXGAGIR...

Curva girevole da 0° a 90°.

Adjustable elbow from 0° to 90°.



Ø	COD.	A	B	C	H	PCS
60	#	#	#	#	#	#
80	L31604EXGA30S08	60	75	54	223	1
100	L31604EXGA30S10	62	75	54	233	1
120	L31604EXGA30S12	65	75	54	243	1
125	L31604EXGA30S125	65	75	54	245	1
130	L31604EXGA30S13	67	75	54	248	1
140	L31604EXGA30S14	68	75	54	253	1
150	L31604EXGA30S15	69	75	54	258	1
160	L31604EXGA30S16	70	75	54	263	1
180	L31604EXGA30S18	73	75	54	273	1
200	L31604EXGA30S20	76	75	54	283	1
220	L316EXGA30S22	78	75	54	293	1
250	L316EXGA30S25	82	75	54	308	1
300	L316EXGA30S30	89	75	54	333	1

Ø	COD.	A	B	C	H	PCS
60	#	#	#	#	#	#
80	L31604EXGA15S08	28	75	54	214	1
100	L31604EXGA15S10	29	75	54	219	1
120	L31604EXGA15S12	29	75	54	221	1
125	L31604EXGA15S125	30	75	54	224	1
130	L31604EXGA15S13	30	75	54	227	1
140	L31604EXGA15S14	30	75	54	229	1
150	L31604EXGA15S15	31	75	54	231	1
160	L31604EXGA15S16	31	75	54	234	1
180	L31604EXGA15S18	32	75	54	240	1
200	L31604EXGA15S20	32	75	54	244	1
220	L316EXGA15S22	33	75	54	250	1
250	L316EXGA15S25	34	75	54	258	1
300	L316EXGA15S30	36	75	54	271	1

Ø	COD.	A	B	H	PCS
60	#	#	#	#	#
80	L31604EXGAGIR08	165	115	200	1
100	L31604EXGAGIR10	170	120	230	1
120	L31604EXGAGIR12	180	130	250	1
125	L31604EXGAGIR125	180	130	250	1
130	L31604EXGAGIR13	185	135	260	1
140	L31604EXGAGIR14	190	140	260	1
150	L31604EXGAGIR15	195	145	260	1
160	L31604EXGAGIR16	200	150	285	1
180	L31604EXGAGIR18	205	155	310	1
200	L31604EXGAGIR20	210	160	315	1
220	L316EXGAGIR22	265	210	380	1
250	L316EXGAGIR25	300	255	465	1
300	L316EXGAGIR30	340	270	500	1

Ø Guarnizione compresa nel prezzo e nella fornitura
Items supplied with seal included

Non disponibile
Not available

MONOPARETE - SINGLE WALL AISI 316L



BFL316GA90I...

Curva a 90° a tre settori con ispezione.

Elbow 90° with three sectors and inspection door.



L316EXT69S...

Raccordo a "T" 90°.

90° tee.



L316EXT93S...

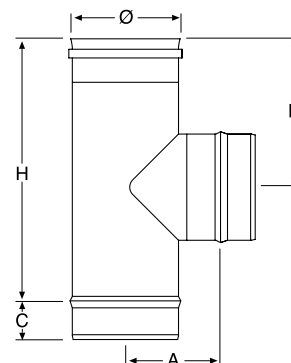
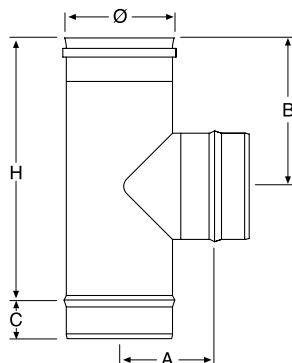
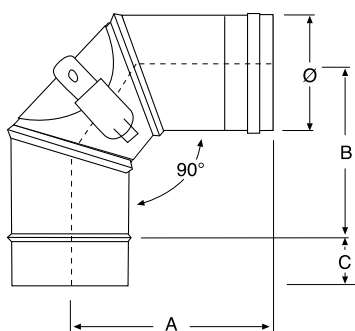
Raccordo a "T" 93°.

93° tee.

Condensing

*

SW



Ø	COD.	A	B	C	PCS
60	BFL31604GA90I06	#	#	#	#
80	BFL31604GA90I08	130	80	54	1
100	BFL31604GA90I10	145	95	54	1
120	BFL31604GA90I12	150	100	54	1
125	BFL31604G90I125	155	105	54	1
130	BFL31604GA90I13	155	105	54	1
140	BFL31604GA90I14	155	105	54	1
150	BFL31604GA90I15	160	110	54	1
160	BFL31604GA90I16	175	125	54	1
180	BFL31604GA90I18	180	130	54	1
200	BFL31604GA90I20	185	135	54	1
220	BFL316GA90I22	220	170	54	1
250	BFL316GA90I25	250	180	54	1
300	BFL316GA90I30	300	200	54	1

Ø	COD.	A	B	C	H	PCS
60	L31604EXT69S06	56	119	54	190	6
80	L31604EXT69S08	86	119	54	190	6
100	L31604EXT69S10	96	119	54	190	6
120	L31604EXT69S12	110	162	54	270	6
125	L31604EXT69S125	112	162	54	270	1
130	L31604EXT69S13	115	162	54	270	6
140	L31604EXT69S14	120	162	54	270	6
150	L31604EXT69S15	125	162	54	270	6
160	L31604EXT69S16	130	162	54	270	1
180	L31604EXT69S18	140	247	54	440	1
200	L31604EXT69S20	150	247	54	440	1
220	L316EXT69S22	160	247	54	440	1
250	L316EXT69S25	175	247	54	440	1
300	L316EXT69S30	200	247	54	440	1
350	L316EXT69S35	221	318	54	588	1
400	L316EXT69S40	240	307	54	540	1
450	L316EXT69S45	265	322	54	590	1
500	L316EXT69S50	290	347	54	640	1

Ø	COD.	A	B	C	H	PCS
60	L31604EXT93S06	56	119	54	190	6
80	L31604EXT93S08	86	119	54	190	6
100	L31604EXT93S10	96	119	54	190	6
120	L31604EXT93S12	110	162	54	270	6
125	L31604EXT93S125	112	162	54	270	6
130	L31604EXT93S13	115	162	54	270	6
140	L31604EXT93S14	120	162	54	270	6
150	L31604EXT93S15	125	162	54	270	6
160	L31604EXT93S16	130	162	54	270	1
180	L31604EXT93S18	140	247	54	440	1
200	L31604EXT93S20	150	247	54	440	1
220	L316EXT93S22	160	247	54	440	1
250	L316EXT93S25	175	247	54	440	1
300	L316EXT93S30	200	247	54	440	1
350	L316EXT93S35	221	318	54	588	1
400	L316EXT93S40	240	307	54	540	1
450	L316EXT93S45	265	322	54	590	1
500	L316EXT93S50	290	347	54	640	1

Ø 60 Guarnizione compresa nel prezzo e nella fornitura
Items supplied with seal included

* A richiesta
On request

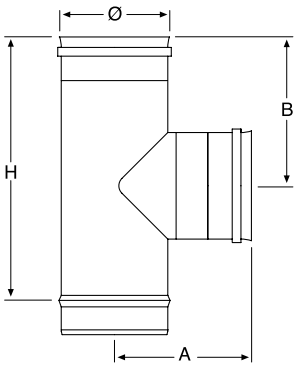
Non disponibile
Not available



L316EXT69SF...

Raccordo a "T" 90° femmina.

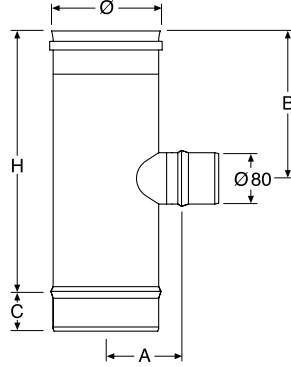
90° tee female.



L316EXT69SU...

Raccordo a "T" 90° uscita ridotta a Ø 80 mm.

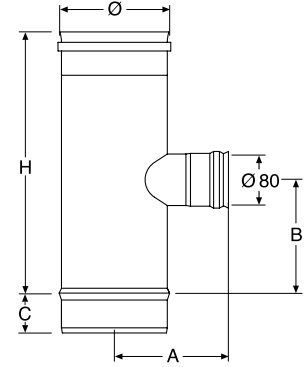
Tee 90° reduced Ø 80 mm.



L316EXT69UF...

Raccordo a "T" 90° uscita ridotta a Ø 80 mm femmina.

Tee 90° reduced Ø 80 mm female.



Ø	COD.	A	B	H	PCS
60	L31604EXT69SF06	79	119	190	1
80	L31604EXT69SF08	135	119	190	1
100	L31604EXT69SF10	145	119	190	1
120	L31604EXT69SF12	155	162	270	1
125	L31604EXT69SF125	157	162	270	1
130	L31604EXT69SF13	160	162	270	1
140	L31604EXT69SF14	165	162	270	1
150	L31604EXT69SF15	170	162	270	1
160	L31604EXT69SF16	175	162	270	1
180	L31604EXT69SF18	185	247	440	1
200	L31604EXT69SF20	195	247	440	1
220	L316EXT69SF22	205	247	440	1
250	L316EXT69SF25	220	247	440	1
300	L316EXT69SF30	245	247	440	1
350	L316EXT69SF35	266	307	588	1
400	L316EXT69SF40	285	318	510	1
450	L316EXT69SF45	310	322	590	1
500	L316EXT69SF50	335	347	640	1

Ø	COD.	A	B	C	H	PCS
60	#	#	#	#	#	#
80	#	#	#	#	#	#
100	L31604EXT69SU10	96	119	54	190	1
120	L31604EXT69SU12	106	119	54	190	1
125	L31604EXT69SU125	108	119	54	190	1
130	L31604EXT69SU13	111	119	54	190	1
140	L31604EXT69SU14	116	119	54	190	1
150	L31604EXT69SU15	121	119	54	190	1
160	L31604EXT69SU16	126	119	54	190	1
180	L31604EXT69SU18	136	119	54	190	1
200	L31604EXT69SU20	146	119	54	190	1
220	L316EXT69SU22	156	119	54	190	1
250	L316EXT69SU25	171	119	54	190	1
300	L316EXT69SU30	196	119	54	190	1

Ø	COD.	A	B	C	H	PCS
60	#	#	#	#	#	#
80	#	#	#	#	#	#
100	L31604EXT69UF10	145	123	54	190	1
120	L31604EXT69UF12	155	123	54	190	1
125	L31604EXT9UF125	157	123	54	190	1
130	L31604EXT69UF13	160	123	54	190	1
140	L31604EXT69UF14	165	123	54	190	1
150	L31604EXT69UF15	170	123	54	190	1
160	L31604EXT69UF16	175	123	54	190	1
180	L31604EXT69UF18	185	123	54	190	1
200	L31604EXT69UF20	195	123	54	190	1
220	L316EXT69UF22	205	123	54	190	1
250	L316EXT69UF25	220	123	54	190	1
300	L316EXT69UF30	245	123	54	190	1

Ø 60 Guarnizione compresa nel prezzo e nella fornitura
Items supplied with seal included

Non disponibile
Not available

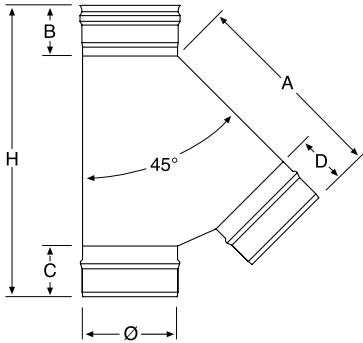
MONOPARETE - SINGLE WALL AISI 316L



L316EXT64S...

Raccordo a "T" 45°.

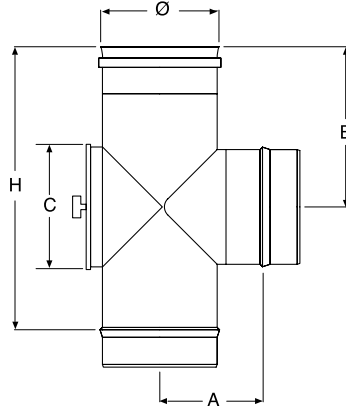
45° tee.



L316T69SISP...

Raccordo a "T" 90° con ispezione tonda contrapposta T 200°.

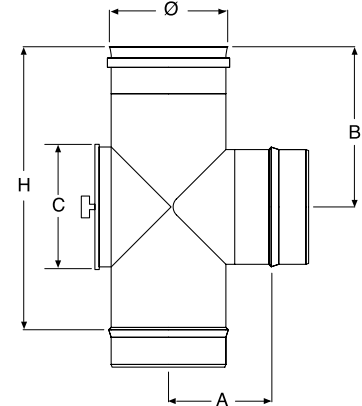
Tee 90° with round inspection on opposite side T 200°.



L316T69SISPTAT...

Raccordo a "T" 90° con ispezione tonda contrapposta T 600°.

Tee 90° with round inspection on opposite side T 600°.



Ø	COD.	A	B	C	D	H	PCS
60	#	#	#	#	#	#	#
80	L31604EXT64S08	195	80	80	80	309	1
100	L31604EXT64S10	232	80	80	80	349	1
120	L31604EXT64S12	168	80	80	80	343	1
125	L31604EXT64S125	176	80	80	80	353	1
130	L31604EXT64S13	184	80	80	80	363	1
140	L31604EXT64S14	198	80	80	80	386	1
150	L31604EXT64S15	209	80	80	80	408	1
160	L31604EXT64S16	220	80	80	80	428	1
180	L31604EXT64S18	248	80	80	80	468	1
200	L31604EXT64S20	272	80	80	80	510	1
220	L316EXT64S22	289	80	80	80	560	1
250	L316EXT64S25	343	80	80	80	618	1
300	L316EXT64S30	371	80	80	80	670	1
350	L316EXT64S35	416	80	80	80	738	1
400	L316EXT64S40	458	80	80	80	810	1
450	L316EXT64S45	500	80	80	80	880	1
500	L316EXT64S50	577	80	80	80	940	1

Ø	COD.	A	B	C	H	PCS
60	#	#	#	#	#	#
80	L31604T69SISP08	86	119	80	190	1
100	L31604T69SISP10	96	119	100	190	1
120	L31604T69SISP12	110	162	120	270	1
125	L31604T69SISP125	110	162	130	270	1
130	L31604T69SISP13	115	162	130	270	1
140	L31604T69SISP14	120	162	140	270	1
150	L31604T69SISP15	125	162	150	270	1
160	L31604T69SISP16	130	162	160	270	1
180	L31604T69SISP18	140	247	180	440	1
200	L31604T69SISP20	150	247	200	440	1
220	L316T69SISP22	160	247	200	440	1
250	L316T69SISP25	175	247	200	440	1
300	L316T69SISP30	200	247	200	440	1

Ø	COD.	A	B	C	H	PCS
60	#	#	#	#	#	#
80	L31604T69ITAT08	86	119	80	190	1
100	L31604T69ITAT10	96	119	100	190	1
120	L31604T69ITAT12	110	162	120	270	1
125	L31604T69ITA125	110	162	130	270	1
130	L31604T69ITAT13	115	162	130	270	1
140	L31604T69ITAT14	120	162	140	270	1
150	L31604T69ITAT15	125	162	150	270	1
160	L31604T69ITAT16	130	162	160	270	1
180	L31604T69ITAT18	140	247	180	440	1
200	L31604T69ITAT20	150	247	200	440	1
220	L316T69ITAT22	160	247	200	440	1
250	L316T69ITAT25	175	247	200	440	1
300	L316T69ITAT30	200	247	200	440	1

Ø 60 Guarnizione compresa nel prezzo e nella fornitura
Items supplied with seal included

* A richiesta
On request

Non disponibile
Not available



BFL316CCMONO...

Cappello cinese con fascetta di bloccaggio.

Rain cap with locking band.



L316EXCAIS...

Cappello cinese.

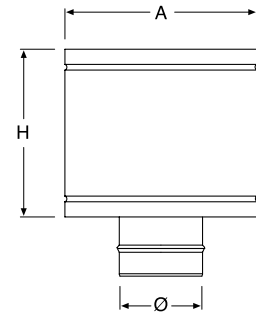
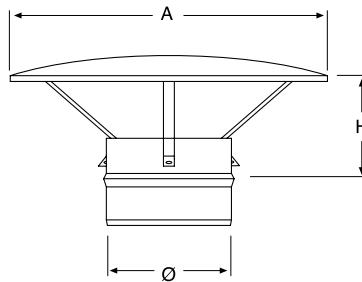
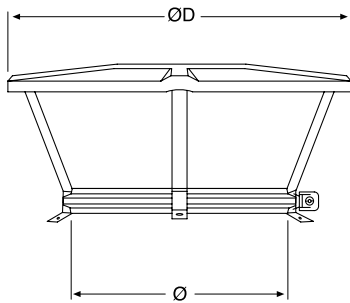
Rain cap.



L316EXTAPSS...

Terminale anti intemperie.

Anti draught terminal.



Ø	COD.	ØD	PCS
60	#	#	#
80	BFL316CCMONO08	200	1
100	BFL316CCMONO10	200	1
120	BFL316CCMONO12	250	1
125	BFL316CCMONO125	250	1
130	BFL316CCMONO13	250	1
140	BFL316CCMONO14	300	1
150	BFL316CCMONO15	300	1
160	BFL316CCMONO16	300	1
180	BFL316CCMONO18	400	1
200	BFL316CCMONO20	400	1
220	BFL316CCMONO22	400	1
250	BFL316CCMONO25	500	1
300	BFL316CCMONO30	500	1

Ø	COD.	A	H	PCS
60	L316EXCAIS06	180	140	6
80	L316EXCAIS08	180	130	6
100	L316EXCAIS10	230	130	6
120	L316EXCAIS12	265	150	6
125	L316EXCAIS125	265	150	1
130	L316EXCAIS13	265	150	6
140	L316EXCAIS14	265	170	6
150	L316EXCAIS15	265	170	6
160	L316EXCAIS16	265	170	1
180	L316EXCAIS18	320	200	1
200	L316EXCAIS20	320	200	1
220	L316EXCAIS22	400	200	1
250	L316EXCAIS25	400	270	1
300	L316EXCAIS30	500	270	1
350	L316EXCAIS35	720	240	1
400	L316EXCAIS40	720	240	1
450	L316EXCAIS45	850	270	1
500	L316EXCAIS50	850	270	1

Ø	COD.	A	H	PCS
60	#	#	#	#
80	L316EXTAPSS08	185	165	1
100	L316EXTAPSS10	185	165	1
120	L316EXTAPSS12	222	165	1
125	L316EXTAPSS125	260	200	1
130	L316EXTAPSS13	260	200	1
140	L316EXTAPSS14	260	200	1
150	L316EXTAPSS15	260	200	1
160	L316EXTAPSS16	303	200	1
180	L316EXTAPSS18	310	250	1
200	L316EXTAPSS20	370	250	1
220	L316EXTAPSS22	418	250	1
250	L316EXTAPSS25	468	310	1
300	L316EXTAPSS30	700	330	1
350	L316EXTAPSS35	700	330	1
400	L316EXTAPSS40	800	330	1
450	L316EXTAPSS45	900	330	1
500	L316EXTAPSS50	1000	360	1

Ø Guarnizione compresa nel prezzo e nella fornitura
Items supplied with seal included

Non disponibile
Not available

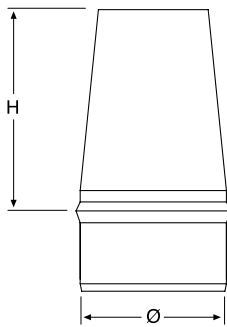
MONOPARETE - SINGLE WALL AISI 316L



L316EXTTC...

Terminale tronco conico.

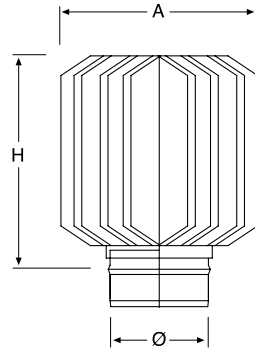
Venturi cone terminal.



L316EXKE...

Terminale eolico.

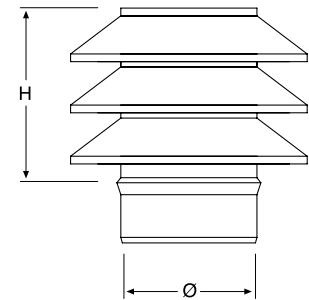
Revolving terminal.



L316EXTARSS...

Terminale architettonico.

Architectural terminal.



Ø	COD.	H	PCS
60	#	#	#
80	L316EXTTC08	146	1
100	L316EXTTC10	146	1
120	L316EXTTC12	146	1
125	#	#	#
130	L316EXTTC13	146	1
140	L316EXTTC14	146	1
150	L316EXTTC15	146	1
160	L316EXTTC16	146	1
180	L316EXTTC18	146	1
200	L316EXTTC20	146	1
220	L316EXTTC22	146	1
250	L316EXTTC25	146	1
300	L316EXTTC30	146	1

Ø	COD.	A	H	PCS
60	#	#	#	#
80	L316EXKE08	220	226	1
100	L316EXKE10	220	226	1
120	L316EXKE12	220	226	1
125	#	#	#	#
130	L316EXKE13	220	226	1
140	L316EXKE14	240	226	1
150	L316EXKE15	240	226	1
160	L316EXKE16	240	226	1
180	L316EXKE18	260	266	1
200	L316EXKE20	270	266	1
220	L316EXKE22	330	296	1
250	L316EXKE25	340	296	1
300	L316EXKE30	390	356	1

Ø	COD.	H	PCS
60	#	#	#
80	L316EXTARSS08	140	1
100	L316EXTARSS10	140	1
120	L316EXTARSS12	140	1
125	#	#	#
130	L316EXTARSS13	140	1
140	L316EXTARSS14	140	1
150	L316EXTARSS15	140	1
160	L316EXTARSS16	140	1
180	L316EXTARSS18	140	1
200	L316EXTARSS20	240	1
220	L316EXTARSS22	240	1
250	L316EXTARSS25	240	1
300	L316EXTARSS30	240	1

Ø 60 Guarnizione compresa nel prezzo e nella fornitura
Items supplied with seal included

* A richiesta
On request

Non disponibile
Not available



L316EXTLIP...



Terminale a "45°" con griglia anti-volatile.

"45°" terminal with anti-volatile grid.



L316EXISPSS...

Elemento con portello tondo per ispezione T 200°.

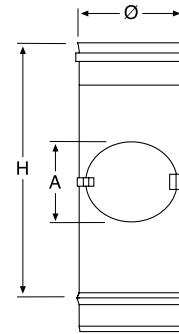
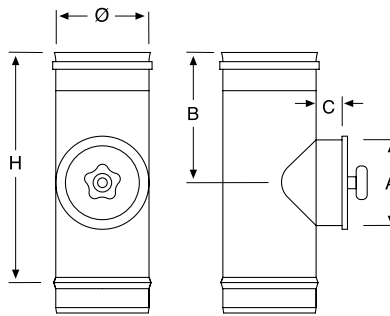
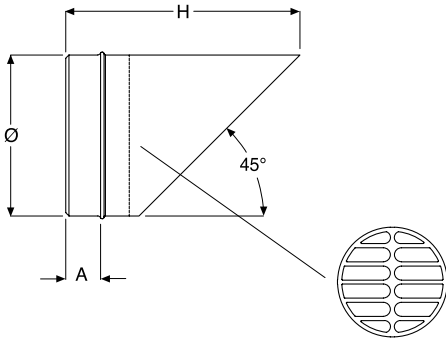
Element with round test point T 200°.



L316EXISN...

Elemento con ispezione aderente.

Inspection section.



Ø	COD.	A	H	PCS
60	#	#	#	#
80	L316EXTLIP08	54	200	1
100	L316EXTLIP10	54	200	1
120	L316EXTLIP12	54	200	1
125	#	#	#	#
130	L316EXTLIP13	54	200	1
140	L316EXTLIP14	54	200	1
150	L316EXTLIP15	54	200	1
160	L316EXTLIP16	54	250	1
180	L316EXTLIP18	54	250	1
200	L316EXTLIP20	54	250	1
220	L316EXTLIP22	54	300	1
250	L316EXTLIP25	54	350	1
300	L316EXTLIP30	54	400	1
350	L316EXTLIP35	54	450	1
400	L316EXTLIP40	54	500	1

Ø	COD.	A	B	C	H	PCS
60	L31604EXISPSS06	60	120	30	190	1
80	L31604EXISPSS08	80	120	30	190	1
100	L31604EXISPSS10	100	120	30	190	1
120	L31604EXISPSS12	120	160	30	270	1
125	L31604EXISPSS125	130	160	30	270	1
130	L31604EXISPSS13	130	160	30	270	1
140	L31604EXISPSS14	140	160	30	270	1
150	L31604EXISPSS15	150	160	30	270	1
160	L31604EXISPSS16	160	160	30	270	1
180	L31604EXISPSS18	180	245	30	440	1
200	L31604EXISPSS20	200	245	30	440	1
220	L316EXISPSS22	200	245	30	440	1
250	L316EXISPSS25	200	245	30	440	1
300	L316EXISPSS30	200	245	30	440	1
350	L316EXISPSS35	200	245	30	440	1
400	L316EXISPSS40	200	245	30	440	1

Ø	COD.	A	H	PCS
60	#	#	#	#
80	L31604EXISN08	105	190	1
100	L31604EXISN10	125	270	1
120	L31604EXISN12	145	270	1
125	L31604EXISN125	145	270	1
130	L31604EXISN13	155	270	1
140	L31604EXISN14	155	270	1
150	L31604EXISN15	155	270	1
160	L31604EXISN16	155	270	1
180	L31604EXISN18	155	270	1
200	L31604EXISN20	155	270	1
220	L316EXISN22	155	270	1
250	L316EXISN25	155	270	1
300	L316EXISN30	155	270	1

Ø 60 Guarnizione compresa nel prezzo e nella fornitura
Items supplied with seal included

* A richiesta
On request

Non disponibile
Not available

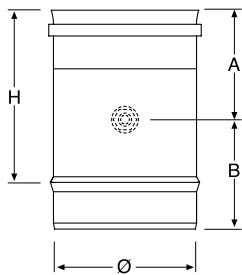
MONOPARETE - SINGLE WALL AISI 316L



L316EXPF...

Elemento per prelievo fumi.

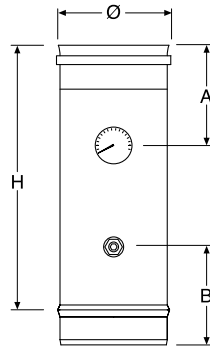
Fumes test section with threaded sleeve.



L316EXPFT...

Elemento per prelievo fumi e temperatura.

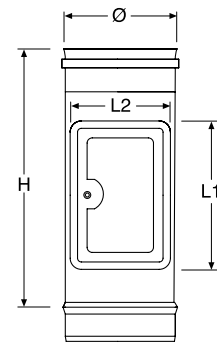
Element for smoke and temperature.



L316EXERC...

Elemento per raccolta cenere con ispezione rettangolare.

Ash collection element with rectangular door.



Ø	COD.	A	B	H	PCS
60	#	#	#	#	#
80	L31604EXPF08	120	123	190	1
100	L31604EXPF10	120	123	190	1
120	L31604EXPF12	120	123	190	1
125	L31604EXPF125	120	123	190	1
130	L31604EXPF13	120	123	190	1
140	L31604EXPF14	120	123	190	1
150	L31604EXPF15	120	123	190	1
160	L31604EXPF16	120	123	190	1
180	L31604EXPF18	120	123	190	1
200	L31604EXPF20	120	123	190	1
220	L316EXPF22	120	123	190	1
250	L316EXPF25	120	123	190	1
300	L316EXPF30	120	123	190	1

Ø	COD.	A	B	H	PCS
60	#	#	#	#	#
80	L31604EXPFT08	160	160	440	1
100	L31604EXPFT10	160	160	440	1
120	L31604EXPFT12	160	160	440	1
125	L31604EXPFT125	160	160	440	1
130	L31604EXPFT13	160	160	440	1
140	L31604EXPFT14	160	160	440	1
150	L31604EXPFT15	160	160	440	1
160	L31604EXPFT16	160	160	440	1
180	L31604EXPFT18	160	160	440	1
200	L31604EXPFT20	160	160	440	1
220	L316EXPFT22	160	160	440	1
250	L316EXPFT25	160	160	440	1
300	L316EXPFT30	160	160	440	1

Ø	COD.	L1	L2	H	PCS
60	#	#	#	#	#
80	L31604EXERC08	190	115	440	1
100	L31604EXERC10	190	115	440	1
120	L31604EXERC12	190	115	440	1
125	L31604EXERC125	190	115	440	1
130	L31604EXERC13	190	115	440	1
140	L31604EXERC14	190	115	440	1
150	L31604EXERC15	190	115	440	1
160	L31604EXERC16	190	115	440	1
180	L31604EXERC18	190	115	440	1
200	L31604EXERC20	190	115	440	1
220	L316EXERC22	280	185	440	1
250	L316EXERC25	280	185	440	1
300	L316EXERC30	280	185	440	1
350	L316EXERC35	280	185	440	1
400	L316EXERC40	280	185	440	1
450	L316EXERC45	280	185	440	1
500	L316EXERC50	280	185	440	1

Ø 60 Guarnizione compresa nel prezzo e nella fornitura
Items supplied with seal included

Non disponibile
Not available



L316EXSCARSS...

Scarico condensa.

Tee cap with condense drain.



L316EXTC...

Tappo cieco.

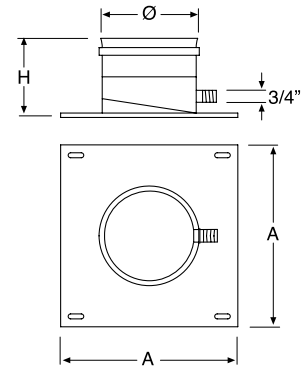
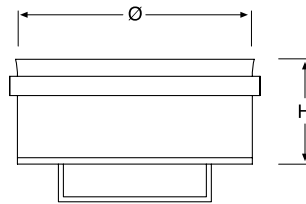
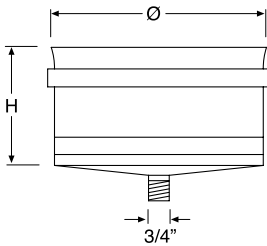
Tee cap.



L316EXPPCS...

Piastra di partenza con scarico laterale.

Base plate with drain plug.



Ø	COD.	H	PCS
60	L316EXSCARSS06	80	6
80	L316EXSCARSS08	80	6
100	L316EXSCARSS10	80	6
120	L316EXSCARSS12	80	6
125	L316EXSCARSS125	80	1
130	L316EXSCARSS13	80	6
140	L316EXSCARSS14	80	6
150	L316EXSCARSS15	80	6
160	L316EXSCARSS16	80	1
180	L316EXSCARSS18	80	1
200	L316EXSCARSS20	80	1
220	L316EXSCARSS22	80	1
250	L316EXSCARSS25	80	1
300	L316EXSCARSS30	80	1
350	L316EXSCARSS35	80	1
400	L316EXSCARSS40	80	1
450	L316EXSCARSS45	80	1
500	L316EXSCARSS50	80	1

Ø	COD.	H	PCS
60	#	#	#
80	L316EXTC08	80	6
100	L316EXTC10	80	6
120	L316EXTC12	80	6
125	L316EXTC125	80	1
130	L316EXTC13	80	6
140	L316EXTC14	80	6
150	L316EXTC15	80	6
160	L316EXTC16	80	1
180	L316EXTC18	80	1
200	L316EXTC20	80	1
220	L316EXTC22	80	1
250	L316EXTC25	80	1
300	L316EXTC30	80	1
350	L316EXTC35	80	1
400	L316EXTC40	80	1
450	L316EXTC45	80	1
500	L316EXTC50	80	1

Ø	COD.	A	H	PCS
60	#	#	#	#
80	L31604EXPPCS08	180	160	1
100	L31604EXPPCS10	200	160	1
120	L31604EXPPCS12	220	160	1
125	L31604EXPPCS125	220	160	1
130	L31604EXPPCS13	230	160	1
140	L31604EXPPCS14	240	160	1
150	L31604EXPPCS15	250	160	1
160	L31604EXPPCS16	260	160	1
180	L31604EXPPCS18	280	160	1
200	L31604EXPPCS20	300	160	1
220	L316EXPPCS22	320	160	1
250	L316EXPPCS25	350	160	1
300	L316EXPPCS30	400	160	1
350	L316EXPPCS35	450	160	1
400	L316EXPPCS40	500	160	1
450	L316EXPPCS45	550	160	1
500	L316EXPPCS50	600	160	1

Ø 60 Guarnizione compresa nel prezzo e nella fornitura
Items supplied with seal included

Non disponibile
Not available

MONOPARETE - SINGLE WALL AISI 316L



L316EXPISS...

Piastra intermedia.

Intermediate anchor plate.



L316EXCS...

Coppia di supporti per piastra.

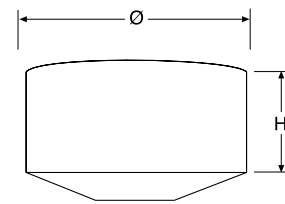
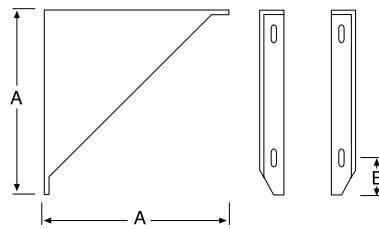
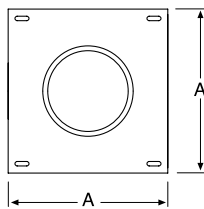
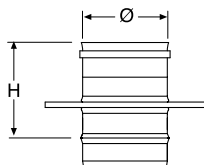
Cantilever brackets (pair).



BFL316TCL...

Tappo (depressione).

Tee cap (negative pressure).



Ø	COD.	A	H	PCS
60	#	#	#	#
80	L31604EXPISS08	180	190	1
100	L31604EXPISS10	200	190	1
120	L31604EXPISS12	220	190	1
125	L31604EXPISS125	220	190	1
130	L31604EXPISS13	230	190	1
140	L31604EXPISS14	240	190	1
150	L31604EXPISS15	250	190	1
160	L31604EXPISS16	260	190	1
180	L31604EXPISS18	280	190	1
200	L31604EXPISS20	300	190	1
220	L316EXPISS22	320	190	1
250	L316EXPISS25	350	190	1
300	L316EXPISS30	400	190	1
350	L316EXPISS35	450	190	1
400	L316EXPISS40	500	190	1
450	L316EXPISS45	550	190	1
500	L316EXPISS50	600	190	1

Ø	COD.	A	B	PCS
60	#	#	#	#
80	L316EXCS08	180	32	6
100	L316EXCS10	200	32	6
120	L316EXCS12	220	32	6
125	L316EXCS125	230	32	1
130	L316EXCS13	230	32	6
140	L316EXCS14	240	32	6
150	L316EXCS15	250	32	6
160	L316EXCS16	260	32	1
180	L316EXCS18	280	32	1
200	L316EXCS20	300	32	1
220	L316EXCS22	320	32	1
250	L316EXCS25	350	32	1
300	L316EXCS30	400	32	1
350	L316EXCS35	450	32	1
400	L316EXCS40	500	32	1
450	L316EXCS45	550	32	1
500	L316EXCS50	600	32	1

Ø	COD.	H	PCS
60	#	#	#
80	BFL316TCL08	65	1
100	BFL316TCL10	65	1
120	BFL316TCL12	65	1
125	BFL316TCL125	65	1
130	BFL316TCL13	65	1
140	BFL316TCL14	65	1
150	BFL316TCL15	65	1
160	BFL316TCL16	65	1
180	BFL316TCL18	65	1
200	BFL316TCL20	65	1
220	BFL316TCL22	#	#
250	BFL316TCL25	65	1
300	BFL316TCL30	65	1

Ø 60 Guarnizione compresa nel prezzo e nella fornitura
Items supplied with seal included

Non disponibile
Not available



BFL316SCL...

Scarico condensa (depressione).

*Tee cap with condense drain
(negative pressure).*



L316EX3LGN...

Guarnizione di tenuta in silicone nero.

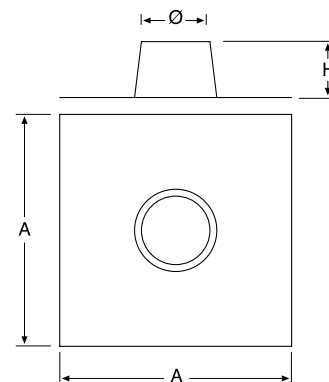
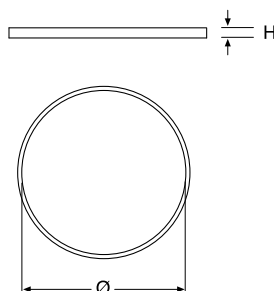
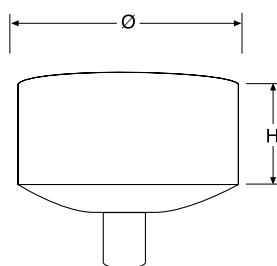
Silicon black seal.



L316EXFPSS...

Faldale piano con base inox.

Flat stainless steel flashing.



Ø	COD.	H	PCS
60	#	#	#
80	BFL316SCL08	65	1
100	BFL316SCL10	65	1
120	BFL316SCL12	65	1
125	BFL316SCL125	65	1
130	BFL316SCL13	65	1
140	BFL316SCL14	65	1
150	BFL316SCL15	65	1
160	BFL316SCL16	65	1
180	BFL316SCL18	65	1
200	BFL316SCL20	65	1
220	BFL316SCL22	#	#
250	BFL316SCL25	65	1
300	BFL316SCL30	65	1

Ø	COD.	H	PCS
60	L316EX2GN06	10	6
80	L316EX3LGN08	10	6
100	L316EX3LGN10	10	6
120	L316EX3LGN12	10	6
125	L316EX3LGN125	10	6
130	L316EX3LGN13	10	6
140	L316EX3LGN14	10	6
150	L316EX3LGN15	10	6
160	L316EX3LGN16	10	1
180	L316EX3LGN18	10	1
200	L316EX3LGN20	10	1
220	L316EX3LGN22	10	1
250	L316EX3LGN25	10	1
300	L316EX3LGN30	10	1
350	Ø 300 L316EX3LGN30	■ 10	1
400	Ø 350 L316EX3LGN35	■ 12	1
450	Ø 350 L316EX3LGN35	■ 12	1
500	Ø 450 L316EX3LGN45	■ 12	1

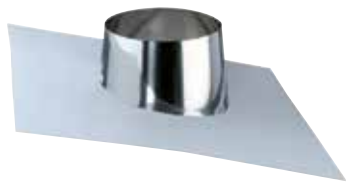
Ø	COD.	A	H	PCS
60	L316EXFPSS06	400	120	1
80	L316EXFPSS08	400	120	1
100	L316EXFPSS10	400	120	1
120	L316EXFPSS12	400	130	1
125	L316EXFPSS125	400	130	1
130	L316EXFPSS13	400	150	1
140	L316EXFPSS14	500	150	1
150	L316EXFPSS15	500	150	1
160	L316EXFPSS16	500	160	1
180	L316EXFPSS18	500	170	1
200	L316EXFPSS20	600	180	1
220	L316EXFPSS22	600	210	1
250	L316EXFPSS25	600	210	1
300	L316EXFPSS30	600	230	1
350	L316EXFPSS35	680	230	1
400	L316EXFPSS40	700	200	1
450	L316EXFPSS45	850	200	1
500	L316EXFPSS50	900	200	1

Ø 60 Guarnizione compresa nel prezzo e nella fornitura
Items supplied with seal included

■ Posizionata sul lato maschio del pezzo
Positioned on the male side of the item

Non disponibile
Not available

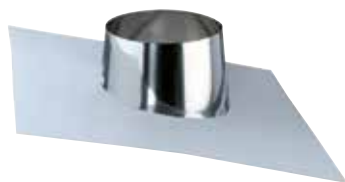
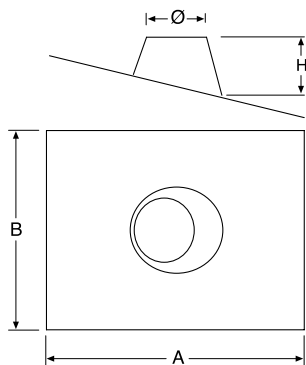
MONOPARETE - SINGLE WALL AISI 316L



L316EXFPS5S...

Faldale regolabile da 5° a 30° con base inox.

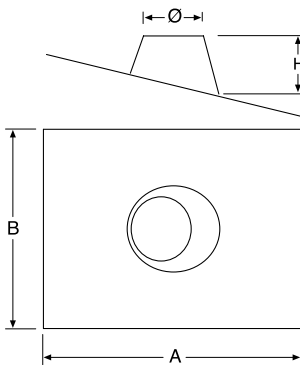
Adjustable stainless steel flashing from 5° to 30°.



L316EXFPS3S... *

Faldale regolabile da 30° a 45° con base inox.

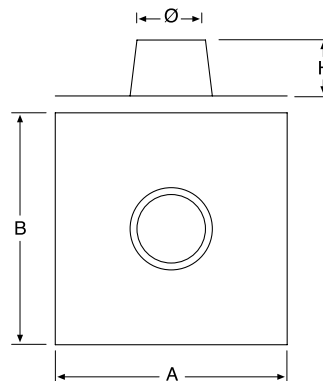
Adjustable stainless steel flashing from 30° to 45°.



BFL304AFPPSS...

Faldale piano con base in alluminio.

Flat flashing with aluminum base.



Ø	COD.	A	B	H	PCS
60	L316EXFPS5S06	400	400	120	1
80	L316EXFPS5S08	400	400	120	1
100	L316EXFPS5S10	400	400	120	1
120	L316EXFPS5S12	400	400	130	1
125	L316EXFPS5S125	400	400	130	1
130	L316EXFPS5S13	400	400	150	1
140	L316EXFPS5S14	500	400	150	1
150	L316EXFPS5S15	500	500	150	1
160	L316EXFPS5S16	500	500	160	1
180	L316EXFPS5S18	500	500	170	1
200	L316EXFPS5S20	600	600	180	1
220	L316EXFPS5S22	600	600	210	1
250	L316EXFPS5S25	600	600	210	1
300	L316EXFPS5S30	600	600	230	1
350	L316EXFPS5S35	680	680	200	1
400	L316EXFPS5S40	700	700	200	1
450	L316EXFPS5S45	850	850	200	1
500	L316EXFPS5S50	900	900	200	1

Ø	COD.	A	B	H	PCS
60	#	#	#	#	#
80	L316EXFPS3S08	550	450	120	1
100	L316EXFPS3S10	550	450	120	1
120	L316EXFPS3S12	550	450	130	1
125	L316EXFPS3S125	550	450	130	1
130	L316EXFPS3S13	550	450	150	1
140	L316EXFPS3S14	650	550	150	1
150	L316EXFPS3S15	650	550	150	1
160	L316EXFPS3S16	650	550	160	1
180	L316EXFPS3S18	750	650	170	1
200	L316EXFPS3S20	750	650	180	1
220	L316EXFPS3S22	750	650	210	1
250	L316EXFPS3S25	750	650	210	1
300	L316EXFPS3S30	850	750	230	1
350	L316EXFPS3S35	850	750	230	1
400	L316EXFPS3S40	850	850	200	1
450	L316EXFPS3S45	850	850	200	1
500	L316EXFPS3S50	900	900	200	1

Ø	COD.	A	B	H	PCS
60	BFL304AFPPSS06	450	550	120	1
80	BFL304AFPPSS08	450	550	120	1
100	BFL304AFPPSS10	450	550	120	1
120	BFL304AFPPSS12	550	650	130	1
125	BFL304AFPPSS125	550	650	130	1
130	BFL304AFPPSS13	550	650	150	1
140	BFL304AFPPSS14	550	650	150	1
150	BFL304AFPPSS15	550	650	150	1
160	BFL304AFPPSS16	550	650	160	1
180	BFL304AFPPSS18	650	750	170	1
200	BFL304AFPPSS20	650	750	180	1
220	BFL304AFPPSS22	650	750	210	1
250	BFL304AFPPSS25	650	750	210	1
300	BFL304AFPPSS30	750	850	230	1
350	BFL304AFPPSS35	750	850	230	1
400	BFL304AFPPSS40	1000	1000	200	1
450	BFL304AFPPSS45	1000	1000	200	1
500	BFL304AFPPSS50	1000	1100	200	1

Ø 60 Guarnizione compresa nel prezzo e nella fornitura
Items supplied with seal included

* A richiesta
On request

Non disponibile
Not available



BFL304AFPS5S...

Faldale regolabile da 5° a 30° con base in alluminio.

Adjustable flashing from 5° to 30° with aluminum base.



BFL304FPS5S...

Faldale regolabile da 5° a 30° con base in piombo.

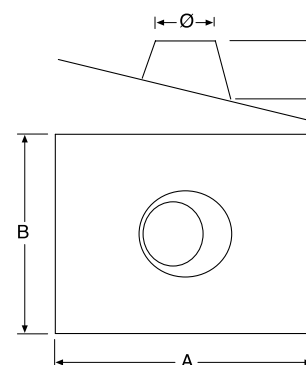
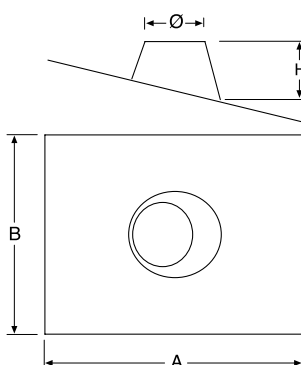
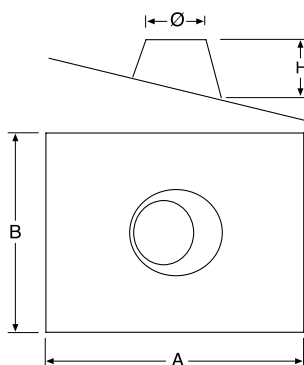
Adjustable flashing from 5° to 30° with lead base.



BFL304FPS3S...

Faldale regolabile da 30° a 45° con base in piombo.

Adjustable flashing from 30° to 45° with lead base.



Ø	COD.	A	B	H	PCS
60	BFL304AFPS5S06	750	450	120	1
80	BFL304AFPS5S08	750	450	120	1
100	BFL304AFPS5S10	750	450	120	1
120	BFL304AFPS5S12	850	550	130	1
125	BFL304AFPS5S125	850	550	130	1
130	BFL304AFPS5S13	850	550	150	1
140	BFL304AFPS5S14	850	550	150	1
150	BFL304AFPS5S15	850	550	150	1
160	BFL304AFPS5S16	850	550	160	1
180	BFL304AFPS5S18	1000	650	170	1
200	BFL304AFPS5S20	1000	650	180	1
220	BFL304AFPS5S22	1000	650	210	1
250	BFL304AFPS5S25	1000	650	210	1
300	BFL304AFPS5S30	1000	750	230	1
350	BFL304AFPS5S35	1000	750	200	1
400	BFL304AFPS5S40	1000	1000	200	1
450	BFL304AFPS5S45	1000	1000	200	1
500	BFL304AFPS5S50	1000	1000	200	1

Ø	COD.	A	B	H	PCS
60	#	#	#	#	#
80	BFL304FPS5S08	600	500	120	1
100	BFL304FPS5S10	600	500	120	1
120	BFL304FPS5S12	600	500	130	1
125	BFL304FPS5S125	600	600	130	1
130	BFL304FPS5S13	600	600	150	1
140	BFL304FPS5S14	600	600	150	1
150	BFL304FPS5S15	600	600	150	1
160	BFL304FPS5S16	600	600	160	1
180	BFL304FPS5S18	800	800	170	1
200	BFL304FPS5S20	800	800	180	1
220	BFL304FPS5S22	800	800	210	1
250	BFL304FPS5S25	800	800	210	1
300	BFL304FPS5S30	800	800	230	1
350	BFL304FPS5S35	1000	800	230	1
400	BFL304FPS5S40	1000	1000	200	1
450	BFL304FPS5S45	1000	1000	200	1
500	BFL304FPS5S50	1000	1000	200	1

Ø	COD.	A	B	H	PCS
60	#	#	#	#	1
80	BFL304FPS3S08	600	500	120	1
100	BFL304FPS3S10	600	500	120	1
120	BFL304FPS3S12	600	500	130	1
125	BFL304FPS3S125	800	800	130	1
130	BFL304FPS3S13	800	800	150	1
140	BFL304FPS3S14	800	800	150	1
150	BFL304FPS3S15	800	800	150	1
160	BFL304FPS3S16	800	800	160	1
180	BFL304FPS3S18	800	800	170	1
200	BFL304FPS3S20	800	800	180	1
220	BFL304FPS3S22	1000	800	210	1
250	BFL304FPS3S25	1000	800	210	1
300	BFL304FPS3S30	1000	800	230	1
350	BFL304FPS3S35	1000	1000	250	1

Ø 60 Guarnizione compresa nel prezzo e nella fornitura
Items supplied with seal included

Non disponibile
Not available

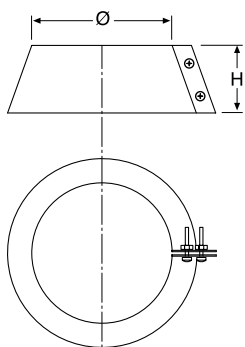
MONOPARETE - SINGLE WALL AISI 316L



L316EXFAPS2S...

Fascetta anti intemperie.

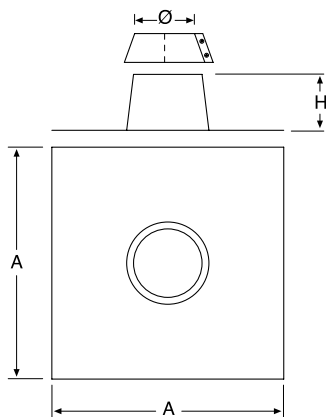
Storm collar.



BFL316FPPSSF...

Faldale piano con base inox e fascetta anti intemperie.

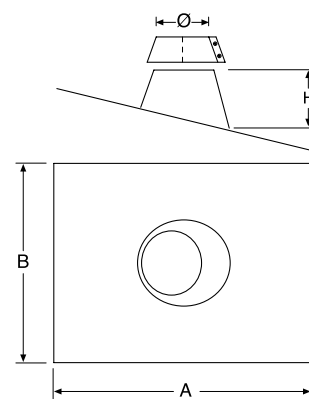
Flat stainless steel flashing with storm collar.



BFL316FPS5SF...

Faldale regolabile da 5° a 30° con base in piombo e fascetta anti intemperie.

Adjustable flashing from 5° to 30° with lead base and storm collar.



Ø	COD.	H	PCS
60	L316EXFAPS2S06	100	1
80	L316EXFAPS2S08	100	1
100	L316EXFAPS2S10	100	1
120	L316EXFAPS2S12	100	1
125	L316EXFAPS2S125	100	1
130	L316EXFAPS2S13	100	1
140	L316EXFAPS2S14	100	1
150	L316EXFAPS2S15	100	1
160	L316EXFAPS2S16	100	1
180	L316EXFAPS2S18	100	1
200	L316EXFAPS2S20	100	1
220	L316EXFAPS2S22	100	1
250	L316EXFAPS2S25	100	1
300	L316EXFAPS2S30	100	1
350	L316EXFAPS2S35	100	1
400	L316EXFAPS2S40	100	1
450	L316EXFAPS2S45	100	1
500	L316EXFAPS2S50	100	1

Ø	COD.	A	H	PCS
60	BFL316FPPSSF06	400	120	1
80	BFL316FPPSSF08	400	120	1
100	BFL316FPPSSF10	400	120	1
120	BFL316FPPSSF12	400	130	1
125	BFL316FPPSSF125	400	130	1
130	BFL316FPPSSF13	400	150	1
140	BFL316FPPSSF14	500	150	1
150	BFL316FPPSSF15	500	150	1
160	BFL316FPPSSF16	500	160	1
180	BFL316FPPSSF18	500	170	1
200	BFL316FPPSSF20	600	180	1
220	BFL316FPPSSF22	600	210	1
250	BFL316FPPSSF25	600	210	1
300	BFL316FPPSSF30	600	230	1
350	BFL316FPPSSF35	680	230	1
400	BFL316FPPSSF40	700	200	1
450	BFL316FPPSSF45	850	200	1
500	BFL316FPPSSF50	900	200	1

Ø	COD.	A	B	H	PCS
60	#	#	#	#	#
80	BFL316FPS5SF08	500	600	120	1
100	BFL316FPS5SF10	500	600	120	1
120	BFL316FPS5SF12	500	600	130	1
125	BFL316FPS5SF125	600	600	130	1
130	BFL316FPS5SF13	600	600	150	1
140	BFL316FPS5SF14	600	600	150	1
150	BFL316FPS5SF15	600	600	150	1
160	BFL316FPS5SF16	600	600	160	1
180	BFL316FPS5SF18	800	800	170	1
200	BFL316FPS5SF20	800	800	180	1
220	BFL316FPS5SF22	800	800	210	1
250	BFL316FPS5SF25	800	800	210	1
300	BFL316FPS5SF30	800	800	230	1

Ø 60 Guarnizione compresa nel prezzo e nella fornitura
Items supplied with seal included

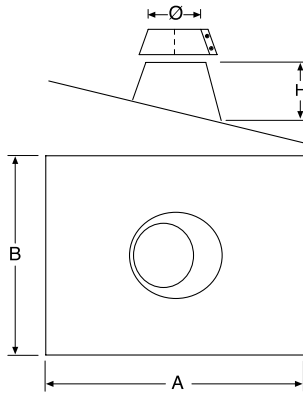
Non disponibile
Not available



BFL316FPS3SF...

Faldale regolabile da 30° a 45° con base in piombo e fascetta anti intemperie.

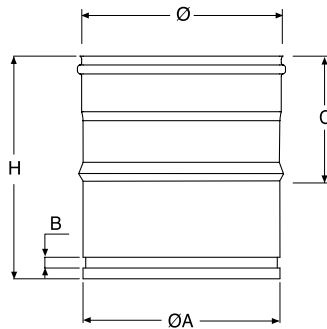
Adjustable flashing from 30° to 45° with lead base and storm collar.



L316EXBM...

Bicchiere di montaggio.

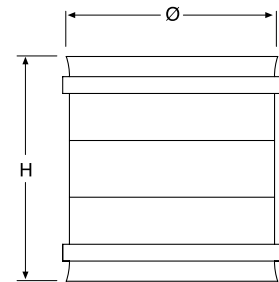
Assembly element.



L316EXFFA...

Manicotto femmina - femmina.

Double female adaptor.



Ø	COD.	A	B	H	PCS
60	#	#	#	#	#
80	BFL316FPS3SF08	600	500	120	1
100	BFL316FPS3SF10	600	500	120	1
120	BFL316FPS3SF12	600	500	130	1
125	BFL316FPS3SF125	800	800	130	1
130	BFL316FPS3SF13	800	800	150	1
140	BFL316FPS3SF14	800	800	150	1
150	BFL316FPS3SF15	800	800	150	1
160	BFL316FPS3SF16	800	800	160	1
180	BFL316FPS3SF18	800	800	170	1
200	BFL316FPS3SF20	800	800	180	1
220	BFL316FPS3SF22	1000	800	210	1
250	BFL316FPS3SF25	1000	800	210	1
300	BFL316FPS3SF30	1000	800	230	1

Ø	COD.	ØA	B	C	H	PCS
60	#	#	#	#	#	#
80	L316EXBM08	78	10	80	135	1
100	L316EXBM10	98	10	80	135	1
120	L316EXBM12	118	10	80	135	1
125	#	#	#	#	#	#
130	L316EXBM13	128	10	80	135	1
140	L316EXBM14	138	10	80	135	1
150	L316EXBM15	148	10	80	135	1
160	L316EXBM16	158	10	80	135	1
180	L316EXBM18	178	10	80	135	1
200	L316EXBM20	198	10	80	135	1
220	L316EXBM22	218	10	80	135	1
250	L316EXBM25	248	10	80	135	1
300	L316EXBM30	298	10	80	135	1

Ø	COD.	H	PCS
60	L31604EXFFA06	133	1
80	L31604EXFFA08	133	1
100	L31604EXFFA10	133	1
120	L31604EXFFA12	133	1
125	L31604EXFFA125	133	1
130	L31604EXFFA13	133	1
140	L31604EXFFA14	133	1
150	L31604EXFFA15	133	1
160	L31604EXFFA16	133	1
180	L31604EXFFA18	133	1
200	L31604EXFFA20	133	1
220	L316EXFFA22	133	1
250	L316EXFFA25	133	1
300	L316EXFFA30	133	1
350	L316EXFFA35	133	1
400	L316EXFFA40	133	1
450	L316EXFFA45	133	1
500	L316EXFFA50	133	1

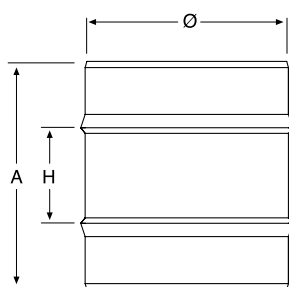
MONOPARETE - SINGLE WALL AISI 316L



L316EXMMA...

Manicotto maschio - maschio.

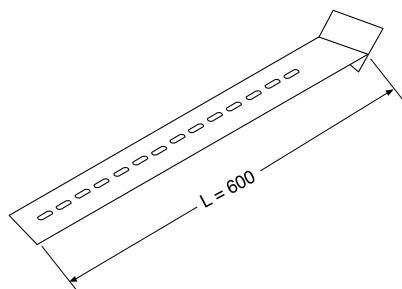
Double male adaptor.



DISTREG

Distanziale regolabile per collare a muro
L = 600 mm.

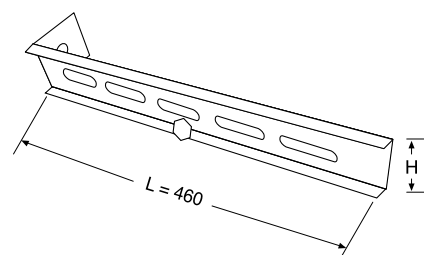
Adjustable distance piece for wall bracket
L = 600 mm.



L316EXDCM

Distanziale universale per collare a muro
(coppia) L = 460 mm. Compreso di
bulloneria.

Universal distance piece for wall bracket
(pair) L = 460 mm. Including bolts.



Ø	COD.	A	H	PCS
60	L31604EXMMA06	143	30	1
80	L31604EXMMA08	143	30	1
100	L31604EXMMA10	143	30	1
120	L31604EXMMA12	143	30	1
125	L31604EXMMA125	143	30	1
130	L31604EXMMA13	143	30	1
140	L31604EXMMA14	143	30	1
150	L31604EXMMA15	143	30	1
160	L31604EXMMA16	143	30	1
180	L31604EXMMA18	143	30	1
200	L31604EXMMA20	143	30	1
220	L316EXMMA22	143	30	1
250	L316EXMMA25	143	30	1
300	L316EXMMA30	143	30	1
350	L316EXMMA35	143	30	1
400	L316EXMMA40	143	30	1
450	L316EXMMA45	143	30	1
500	L316EXMMA50	143	30	1

COD.	L	PCS
DISTREG	600	1

Ø	COD.	H	PCS
60	#	#	#
80	L316EXDCM	40	1
100	L316EXDCM	40	1
120	L316EXDCM	40	1
125	L316EXDCM	40	1
130	L316EXDCM	40	1
140	L316EXDCM	40	1
150	L316EXDCM	40	1
160	L316EXDCM	40	1
180	L316EXDCM	40	1
200	L316EXDCM	40	1
220	L316EXDCM	40	1
250	L316EXDCM	40	1
300	L316EXDCM	40	1
350	L316EXDCM	40	1
400	DCMH100	100	1
450	DCMH100	100	1
500	DCMH100	100	1

Guarnizione compresa nel prezzo e nella fornitura
Items supplied with seal included

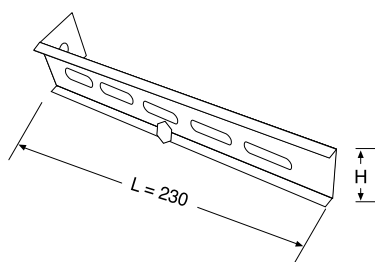
Non disponibile
Not available



DCMC

Distanziale universale per collare a muro (coppia) L = 230 mm. Compreso di bulloneria.

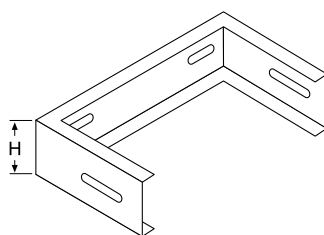
Universal distance piece for wall bracket (pair) L = 230 mm. Including bolts.



L316EXDIS...

Distanziale per collare a muro.

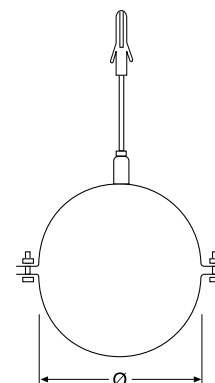
Extension for wall bracket.



L316EXCCT...

Collare a muro con tassello.

Wall bracket with anchor bolt.



Ø	COD.	H	PCS
60	#	#	#
80	DCMC	40	1
100	DCMC	40	1
120	DCMC	40	1
125	DCMC	40	1
130	DCMC	40	1
140	DCMC	40	1
150	DCMC	40	1
160	DCMC	40	1
180	DCMC	40	1
200	DCMC	40	1
220	DCMC	40	1
250	DCMC	40	1
300	DCMC	40	1
350	DCMC	40	1
400	DCMCH100	100	1
450	DCMCH100	100	1
500	DCMCH100	100	1

Ø	COD.	H	PCS
60	#	#	#
80	L316EXDIS08	40	1
100	L316EXDIS10	40	1
120	L316EXDIS12	40	1
125	L316EXDIS125	40	1
130	L316EXDIS13	40	1
140	L316EXDIS14	40	1
150	L316EXDIS15	40	1
160	L316EXDIS16	40	1
180	L316EXDIS18	40	1
200	L316EXDIS20	40	1
220	L316EXDIS22	40	1
250	L316EXDIS25	40	1
300	L316EXDIS30	40	1
350	L316EXDIS35	40	1
400	L316EXDIS40	100	1
450	L316EXDIS45	100	1
500	L316EXDIS50	100	1

Ø	COD.	PCS
60	L316EXCCT06	1
80	L316EXCCT08	1
100	L316EXCCT10	1
120	L316EXCCT12	1
125	L316EXCCT125	1
130	L316EXCCT13	1
140	L316EXCCT14	1
150	L316EXCCT15	1
160	L316EXCCT16	1
180	L316EXCCT18	1
200	L316EXCCT20	1
220	L316EXCCT22	1
250	L316EXCCT25	1
300	L316EXCCT30	1

Ø 60 Guarnizione compresa nel prezzo e nella fornitura
Items supplied with seal included

Non disponibile
Not available

MONOPARETE - SINGLE WALL AISI 316L



L316EXFACSS...

Fascetta di sicurezza.

Locking band.



L316EXCOLSS...

Collare a muro.

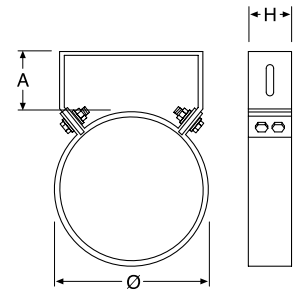
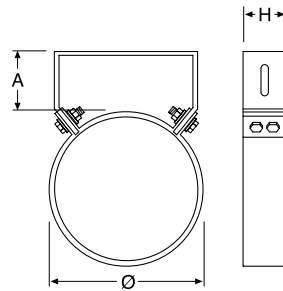
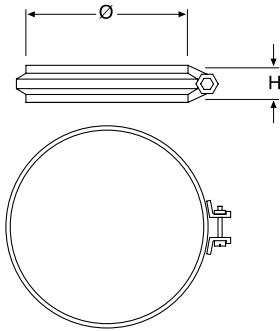
Wall bracket.



BFL316CREG...

Collare a muro regolabile da 50 a 100 mm.

Wall bracket adjustable from 50 to 100 mm.



Ø	COD.	H	PCS
60	L316EXFACSS06	20	6
80	L316EXFACSS08	20	6
100	L316EXFACSS10	20	6
120	L316EXFACSS12	20	6
125	L316EXFACSS125	20	1
130	L316EXFACSS13	20	6
140	L316EXFACSS14	20	6
150	L316EXFACSS15	20	6
160	L316EXFACSS16	20	1
180	L316EXFACSS18	20	1
200	L316EXFACSS20	20	1
220	L316EXFACSS22	20	1
250	L316EXFACSS25	20	1
300	L316EXFACSS30	20	1
350	L316EXFACSS35	20	1
400	L316EXFACSS40	20	1
450	L316EXFACSS45	20	1
500	L316EXFACSS50	20	1

Ø	COD.	A	H	PCS
60	#	#	#	#
80	L316EXCOLSS08	50	40	6
100	L316EXCOLSS10	50	40	6
120	L316EXCOLSS12	50	40	6
125	L316EXCOLSS125	50	40	1
130	L316EXCOLSS13	50	40	6
140	L316EXCOLSS14	50	40	6
150	L316EXCOLSS15	50	40	6
160	L316EXCOLSS16	50	40	6
180	L316EXCOLSS18	50	40	1
200	L316EXCOLSS20	50	40	1
220	L316EXCOLSS22	50	40	1
250	L316EXCOLSS25	50	40	1
300	L316EXCOLSS30	50	40	1
350	L316EXCOLSS35	50	40	1
400	L316EXCOLSS40	50	100	1
450	L316EXCOLSS45	50	100	1
500	L316EXCOLSS50	50	100	1

Ø	COD.	A	H	PCS
60	#	#	#	#
80	BFL316CREG08	50-100	40	6
100	BFL316CREG10	50-100	40	6
120	BFL316CREG12	50-100	40	6
125	BFL316CREG125	50-100	40	1
130	BFL316CREG13	50-100	40	6
140	BFL316CREG14	50-100	40	6
150	BFL316CREG15	50-100	40	6
160	BFL316CREG16	50-100	40	1
180	BFL316CREG18	50-100	40	1
200	BFL316CREG20	50-100	40	1
220	BFL316CREG22	50-100	40	1
250	BFL316CREG25	50-100	40	1
300	BFL316CREG30	50-100	40	1

Ø 60 Guarnizione compresa nel prezzo e nella fornitura
Items supplied with seal included

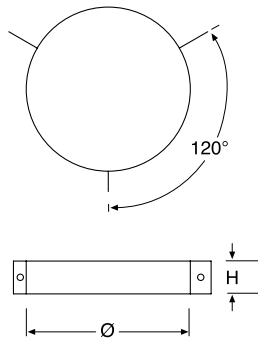
Non disponibile
Not available



L316EXFCPSS...

Collare per cavi tiranti.

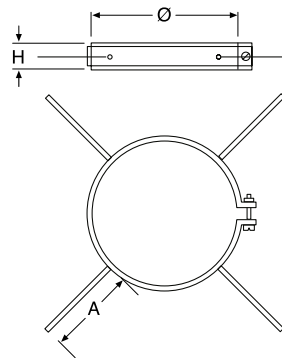
Guy wire bracket.



L316EXCD...

Collare distanziatore per intubamenti.

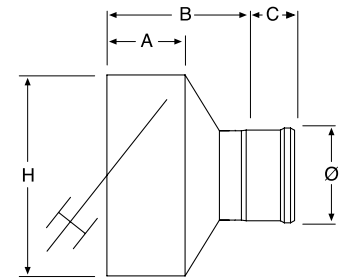
Spacing bracket.



BFL316RT...

Raccordo con regolatore di tiraggio.

Stabilizer section.



Ø	COD.	H	PCS
60	#	#	#
80	L316EXFCPSS08	30	1
100	L316EXFCPSS10	30	1
120	L316EXFCPSS12	30	1
125	L316EXFCPSS125	30	1
130	L316EXFCPSS13	30	1
140	L316EXFCPSS14	30	1
150	L316EXFCPSS15	30	1
160	L316EXFCPSS16	30	1
180	L316EXFCPSS18	30	1
200	L316EXFCPSS20	30	1
220	L316EXFCPSS22	30	1
250	L316EXFCPSS25	30	1
300	L316EXFCPSS30	30	1
350	L316EXFCPSS35	30	1
400	L316EXFCPSS40	30	1
450	L316EXFCPSS45	30	1
500	L316EXFCPSS50	30	1

Ø	COD.	A	H	PCS
60	L316EXCD06	300	40	1
80	L316EXCD08	300	40	1
100	L316EXCD10	300	40	1
120	L316EXCD12	300	40	1
125	L316EXCD125	300	40	1
130	L316EXCD13	300	40	1
140	L316EXCD14	300	40	1
150	L316EXCD15	300	40	1
160	L316EXCD16	300	40	1
180	L316EXCD18	300	40	1
200	L316EXCD20	300	40	1
220	L316EXCD22	300	40	1
250	L316EXCD25	300	40	1
300	L316EXCD30	300	40	1
350	L316EXCD35	300	40	1
400	L316EXCD40	300	40	1
450	L316EXCD45	300	40	1
500	L316EXCD50	300	40	1

Ø	COD.	A	B	C	H	PCS
60	#	#	#	#	#	#
80	BFL316RT08	100	129	54	180	1
100	BFL316RT10	100	129	54	180	1
120	BFL316RT12	33	87	54	180	1
125	BFL316RT125	33	87	54	180	1
130	BFL316RT13	33	94	54	180	1
140	BFL316RT14	33	94	54	180	1
150	BFL316RT15	33	94	54	180	1
160	BFL316RT16	33	94	54	180	1
180	BFL316RT18	33	94	54	180	1
200	BFL316RT20	33	94	54	180	1
220	BFL316RT22	33	94	54	180	1
250	BFL316RT25	33	94	54	180	1
300	BFL316RT30	33	159	54	180	1

Ø 60 Guarnizione compresa nel prezzo e nella fornitura
Items supplied with seal included

* A richiesta
On request

Non disponibile
Not available

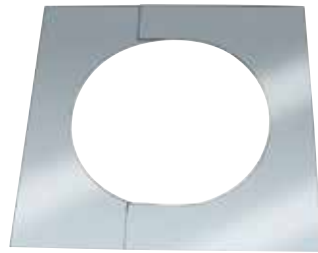
MONOPARETE - SINGLE WALL AISI 316L



L316EXCR...

Collare per ritubazione.

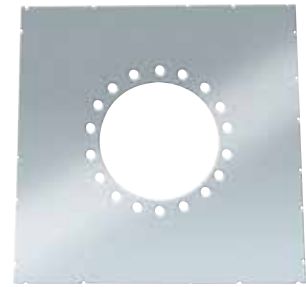
Bracket for re-piping.



BFL316POVALE...

Piastra di finitura ovale.

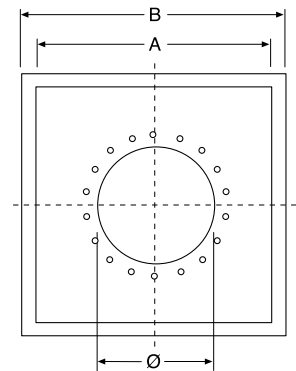
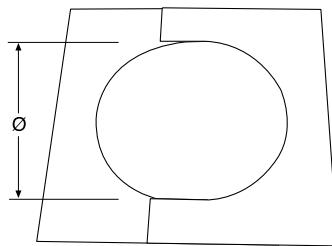
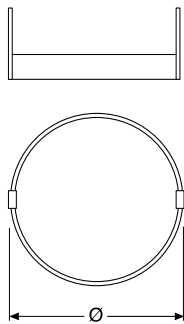
Adjustable firestop.



BFL316PTFS...

Piastra tagliafuoco superiore.

Higher fire stop spacer.



Ø	COD.	PCS
60	L316EXCR06	#
80	L316EXCR08	1
100	L316EXCR10	1
120	L316EXCR12	1
125	L316EXCR125	1
130	L316EXCR13	1
140	L316EXCR14	1
150	L316EXCR15	1
160	L316EXCR16	1
180	L316EXCR18	1
200	L316EXCR20	1
220	L316EXCR22	1
250	L316EXCR25	1
300	L316EXCR30	1
350	L316EXCR35	1
400	L316EXCR40	1
450	L316EXCR45	1
500	L316EXCR50	1

Ø	COD.	PCS
60	#	#
80	BFL316POVALE08	1
100	BFL316POVALE10	1
120	BFL316POVALE12	1
125	BFL316POVALE125	1
130	BFL316POVALE13	1
140	BFL316POVALE14	1
150	BFL316POVALE15	1
160	BFL316POVALE16	1
180	BFL316POVALE18	1
200	BFL316POVALE20	1
220	BFL316POVALE22	1
250	BFL316POVALE25	1
300	BFL316POVALE30	1

Ø	COD.	A	B	PCS
60	#	#	#	#
80	BFL316PTFS08	381	431	1
100	BFL316PTFS10	381	431	1
120	BFL316PTFS12	401	451	1
125	BFL316PTFS125	401	451	1
130	BFL316PTFS13	401	451	1
140	BFL316PTFS14	409	459	1
150	BFL316PTFS15	423	473	1
160	BFL316PTFS16	450	500	1
180	BFL316PTFS18	450	500	1
200	BFL316PTFS20	470	520	1
220	BFL316PTFS22	490	540	1
250	BFL316PTFS25	520	570	1
300	BFL316PTFS30	570	620	1

Ø 60 Guarnizione compresa nel prezzo e nella fornitura
Items supplied with seal included

* A richiesta
On request

Non disponibile
Not available



BFL316PTFI...



Piastra tagliafuoco inferiore.

Lower fire stop spacer.



BFL316ST...



Supporto a tetto.

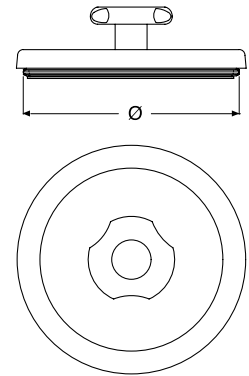
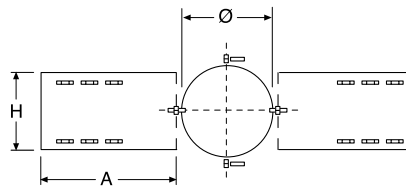
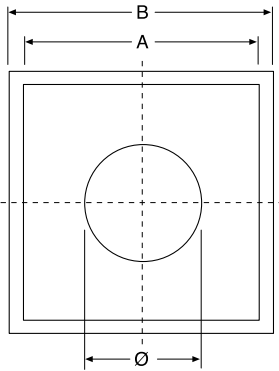
Roof support.



TAPPO...

Tappo di ispezione in acciaio inox (T 200°).

Round cap stainless steel (T 200°).



Ø	COD.	A	B	PCS
60	#	#	#	#
80	BFL316PTFI08	381	431	1
100	BFL316PTFI10	381	431	1
120	BFL316PTFI12	401	451	1
125	BFL316PTFI125	401	451	1
130	BFL316PTFI13	401	451	1
140	BFL316PTFI14	409	459	1
150	BFL316PTFI15	423	473	1
160	BFL316PTFI16	450	500	1
180	BFL316PTFI18	450	500	1
200	BFL316PTFI20	470	520	1
220	BFL316PTFI22	490	540	1
250	BFL316PTFI25	520	570	1
300	BFL316PTFI30	570	620	1

Ø	COD.	A	H	PCS
60	#	#	#	#
80	BFL316ST08	300	180	1
100	BFL316ST10	300	180	1
120	BFL316ST12	300	180	1
125	BFL316ST125	300	180	1
130	BFL316ST13	300	180	1
140	BFL316ST14	300	180	1
150	BFL316ST15	300	180	1
160	BFL316ST16	300	180	1
180	BFL316ST18	300	180	1
200	BFL316ST20	300	180	1
220	BFL316ST22	300	180	1
250	BFL316ST25	300	180	1
300	BFL316ST30	300	180	1
350	BFL316ST35	300	180	1
400	BFL316ST40	300	180	1
450	BFL316ST45	300	180	1
500	BFL316ST50	300	180	1

Ø	COD.	PCS
60	TAPPO06	1
80	TAPPO08	1
100	TAPPO10	1
120	TAPPO12	1
125	#	#
130	TAPPO13	1
140	TAPPO14	1
150	TAPPO15	1
160	TAPPO16	1
180	TAPPO18	1
200	TAPPO20	1

Ø 60 Guarnizione compresa nel prezzo e nella fornitura
Items supplied with seal included

* A richiesta
On request

Non disponibile
Not available

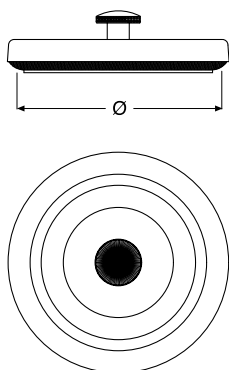
MONOPARETE - SINGLE WALL AISI 316L



TAPPOAT...

Tappo di ispezione in acciaio inox per alte temperature (T 600°).

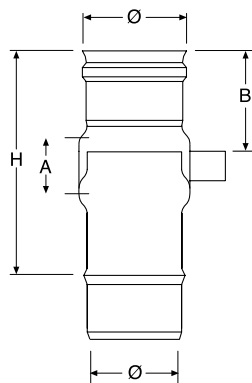
Round cap stainless steel for high temperatures (T 600°).



L316EXSCARLVH... *

Elemento con scarico laterale anticondensa per montaggio verticale.

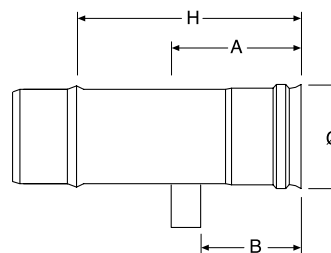
Element with lateral anti-condensation drain plug for vertical mounting.



L316EXSCARLH... *

Elemento con scarico laterale anticondensa per montaggio orizzontale.

Element with lateral anti-condensation drain plug for horizontal mounting.



Ø	COD.	PCS
60	#	#
80	TAPPOAT08	1
100	TAPPOAT10	1
120	TAPPOAT12	1
125	#	#
130	TAPPOAT13	1
140	TAPPOAT14	1
150	TAPPOAT15	1
160	TAPPOAT16	1
180	TAPPOAT18	1
200	TAPPOAT20	1

Ø	COD.	A	B	H	PCS
60	#	#	#	#	#
80	L316EXSCARLVH08	55	82	143	1
100	L316EXSCARLVH10	55	82	143	1
120	L316EXSCARLVH12	55	82	143	1
125	#	#	#	#	#
130	L316EXSCARLVH13	55	82	143	1
140	L316EXSCARLVH14	55	82	143	1
150	L316EXSCARLVH15	55	82	143	1
160	L316EXSCARLVH16	55	82	143	1
180	L316EXSCARLVH18	55	82	143	1
200	L316EXSCARLVH20	55	82	143	1

Ø	COD.	A	B	H	PCS
60	#	#	#	#	#
80	L316EXSCARLH08	110	83	148	1
100	L316EXSCARLH10	110	83	148	1
120	L316EXSCARLH12	110	83	148	1
125	#	#	#	#	#
130	L316EXSCARLH13	110	83	148	1
140	L316EXSCARLH14	110	83	148	1
150	L316EXSCARLH15	110	83	148	1
160	L316EXSCARLH16	110	83	148	1
180	L316EXSCARLH18	110	83	148	1
200	L316EXSCARLH20	110	83	148	1

Ø 60 Guarnizione compresa nel prezzo e nella fornitura
Items supplied with seal included

***** A richiesta
On request

Non disponibile
Not available



L316EXSCARSLA... *

Raccordo con scarico condensa laterale per montaggio orizzontale.

Adaptor with lateral condense drain for horizontal mounting.



L316EXQT... *

Riduzione quadro - tonda.

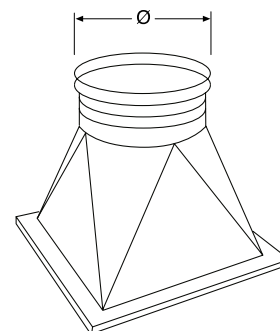
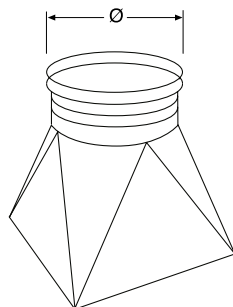
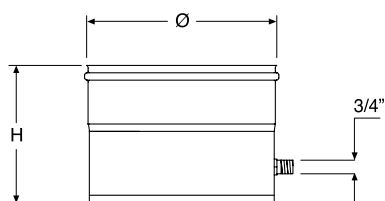
Square - round reducer.



TRAM... *

Tramoggia.

Hopper.



Ø	COD.	H	PCS
60	#	#	#
80	L316EXSCARSLA08	125	1
100	L316EXSCARSLA10	125	1
120	L316EXSCARSLA12	125	1
125	#	#	#
130	L316EXSCARSLA13	125	1
140	L316EXSCARSLA14	125	1
150	L316EXSCARSLA15	125	1
160	L316EXSCARSLA16	125	1
180	L316EXSCARSLA18	125	1
200	L316EXSCARSLA20	125	1
220	L316EXSCARSLA22	125	1
250	L316EXSCARSLA25	125	1
300	L316EXSCARSLA30	125	1

Ø	COD.	PCS
60	L316EXQT06	1
80	L316EXQT08	1
100	L316EXQT10	1
120	L316EXQT12	1
125	L316EXQT125	1
130	L316EXQT13	1
140	L316EXQT14	1
150	L316EXQT15	1
160	L316EXQT16	1
180	L316EXQT18	1
200	L316EXQT20	1
220	L316EXQT22	1
250	L316EXQT25	1
300	L316EXQT30	1
350	L316EXQT35	1
400	L316EXQT40	1
450	L316EXQT45	1
500	L316EXQT50	1

Ø	COD.	PCS
60	TRAM06	1
80	TRAM08	1
100	TRAM10	1
120	TRAM12	1
125	TRAM125	1
130	TRAM13	1
140	TRAM14	1
150	TRAM15	1
160	TRAM16	1
180	TRAM18	1
200	TRAM20	1
220	TRAM22	1
250	TRAM25	1
300	TRAM30	1
350	TRAM35	1
400	TRAM40	1
450	TRAM45	1
500	TRAM50	1

Ø 60 Guarnizione compresa nel prezzo e nella fornitura
Items supplied with seal included

* A richiesta
On request

Non disponibile
Not available

MONOPARETE - SINGLE WALL AISI 316L

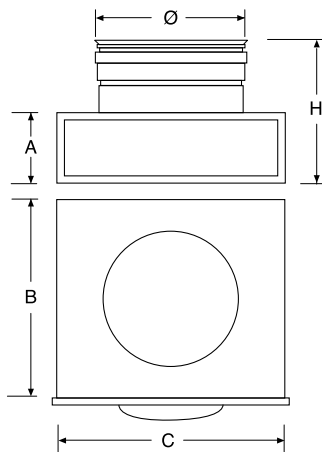


L316EXCAS...



Cassetta per raccolta cenere.

Box collecting ash.

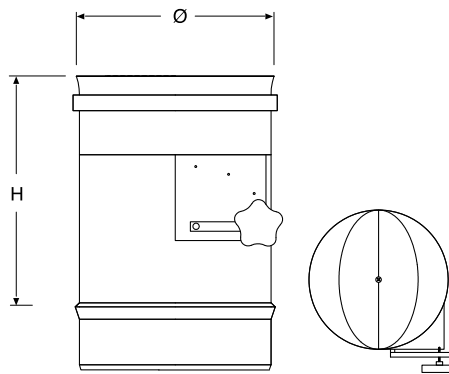


FARFALLA...



Elemento con saracinesca regolabile.

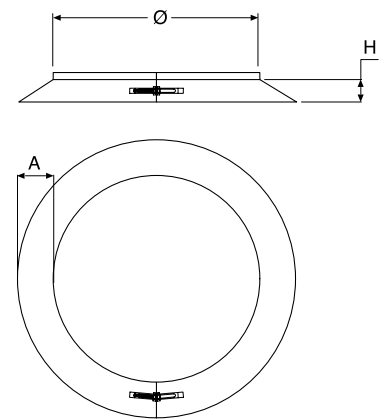
Element with adjustable portculis.



L316EXROSAS...

Rosone conico.

Conical ceiling hole cover.



Ø	COD.	A	B	C	H	PCS
60	#	#	#	#	#	#
80	L316EXCAS08	115	145	165	180	1
100	L316EXCAS10	115	145	165	180	1
120	L316EXCAS12	115	180	190	180	1
125	#	#	#	#	#	#
130	L316EXCAS13	115	180	190	180	1
140	L316EXCAS14	115	210	220	180	1
150	L316EXCAS15	115	210	220	180	1
160	L316EXCAS16	115	210	220	180	1
180	L316EXCAS18	115	230	240	180	1
200	L316EXCAS20	115	260	270	180	1

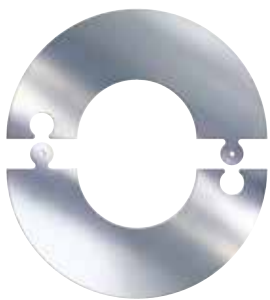
Ø	COD.	H	PCS
60	#	#	#
80	FARFALLA08	190	1
100	FARFALLA10	190	1
120	FARFALLA12	190	1
125	#	#	#
130	FARFALLA13	190	1
140	FARFALLA14	190	1
150	FARFALLA15	190	1
160	FARFALLA16	190	1
180	FARFALLA18	190	1
200	FARFALLA20	190	1
250	FARFALLA25	270	1
300	FARFALLA30	270	1

Ø	COD.	A	H	PCS
60	#	#	#	#
80	L316EXROSAS08	70	20	1
100	L316EXROSAS10	70	20	1
120	L316EXROSAS12	70	20	1
125	L316EXROSAS125	70	20	1
130	L316EXROSAS13	70	20	1
140	L316EXROSAS14	70	20	1
150	L316EXROSAS15	70	20	1
160	L316EXROSAS16	70	20	1
180	L316EXROSAS18	70	20	1
200	L316EXROSAS20	70	20	1
250	L316EXROSAS25	70	30	1
300	L316EXROSAS30	70	30	1

Ø 60 Guarnizione compresa nel prezzo e nella fornitura
Items supplied with seal included

* A richiesta
On request

Non disponibile
Not available



L316EXROSAS2P...



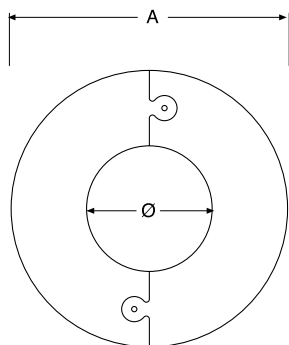
LUBGN

Rosone componibile.

Lubrificante per guarnizione.

Modular ceiling hole cover.

Lubricant for seal.



Ø	COD.	A	PCS
60	#	#	#
80	L316EXROSAS2P08	180	1
100	L316EXROSAS2P10	200	1
120	L316EXROSAS2P12	220	1
125	#	#	#
130	L316EXROSAS2P13	230	1
140	L316EXROSAS2P14	240	1
150	L316EXROSAS2P15	250	1
160	L316EXROSAS2P16	260	1
180	L316EXROSAS2P18	280	1
200	L316EXROSAS2P20	300	1
250	L316EXROSAS2P25	350	1
300	L316EXROSAS2P30	400	1

COD.	PCS
LUBGN	1

Guarnizione compresa nel prezzo e nella fornitura
Items supplied with seal included

A richiesta
On request

Non disponibile
Not available

MONOPARETE - SINGLE WALL AISI 316L

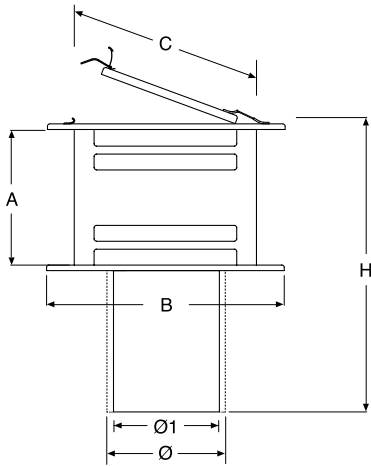


L316EXTAISP...



Terminale anti intemperie ispezionabile.

Anti draught terminal with inspection door.



Ø	Ø1	COD.	A	B	C	H	PCS
130	128	L316EXTAISP13	170	300	180	390	1
150	148	L316EXTAISP15	170	300	180	390	1
180	178	L316EXTAISP18	170	330	210	390	1

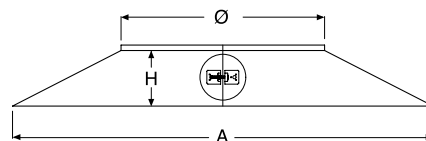


L316FAPS2S30J...



Fascetta anti intemperie inclinata a 30°.

Storm collar inclined at 30°.



Ø	COD.	A	H	PCS
130	L316FAPS2S30J13	290	45	1
150	L316FAPS2S30J15	310	45	1
180	L316FAPS2S30J18	340	45	1

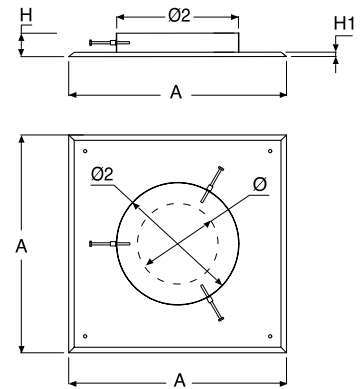


EXPIARIFLEX...

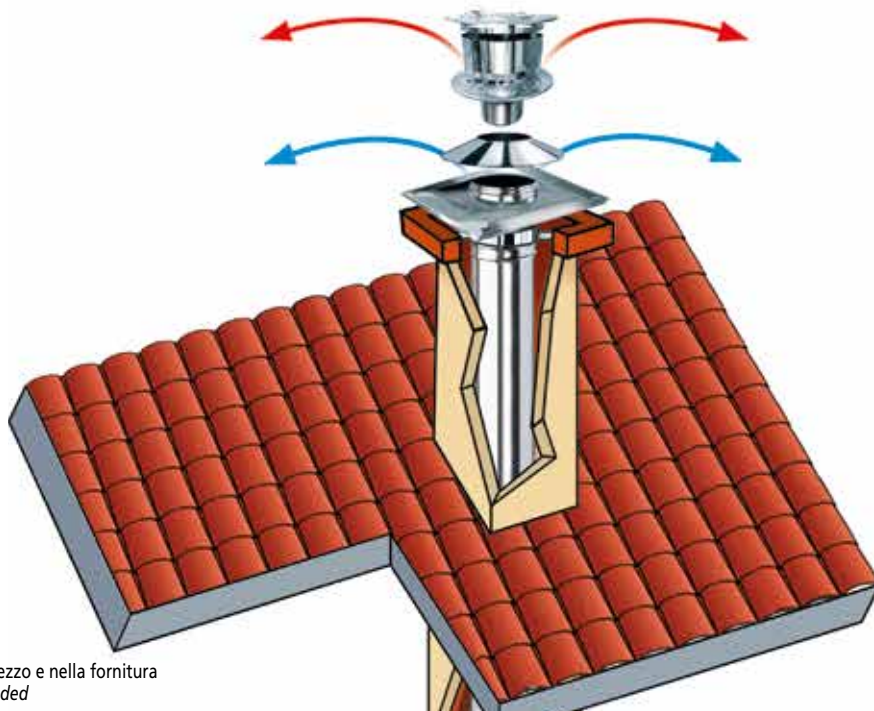


Piastra terminale di tenuta per rigido / flex con sistema di bloccaggio a bulloni.

Top plate for rigid / flex with bolts locking system.



Ø	Ø2	COD.	A	H	H1	PCS
130	230	EXPIARIFLEX13	400	43	8	1
150	230	EXPIARIFLEX15	400	43	8	1
180	250	EXPIARIFLEX18	450	43	8	1



Guarnizione compresa nel prezzo e nella fornitura
Items supplied with seal included

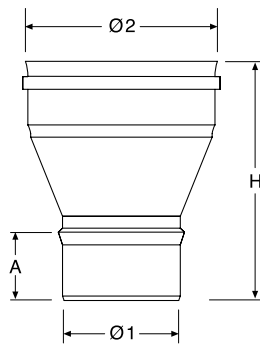
A richiesta
On request



L316EXRAI.../...

Aumento di diametro.

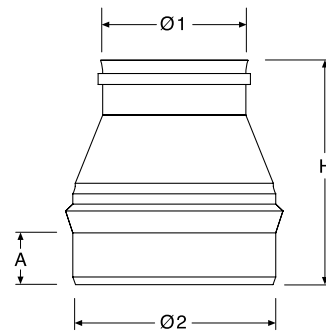
Increaser.



L316EXRCI.../...

Riduzione di diametro.

Reducer.



Ø2

Ø1	50	60	80	100	110	120	130	140	150	160	180	200	220	250	300	A	H	PCS
50		L316EXRAI05/06														54	180	1
60	L316EXRCI06/05		L316EXRAI06/08	L316EXRAI06/10	#	#	#	#	#	#	#	#	#	#	#	54	180	1
80		L316EXRCI08/06		L316EXRAI08/10	L316EXRAI08/11	L316EXRAI08/12	L316EXRAI08/13	L316EXRAI08/14	L316EXRAI08/15	L316EXRAI08/16	L316EXRAI08/18	L316EXRAI08/20	L316EXRAI08/22	L316EXRAI08/25	L316EXRAI08/30	54	175	1
100			L316EXRAI10/08		L316EXRAI10/10	L316EXRAI10/12	L316EXRAI10/13	L316EXRAI10/14	L316EXRAI10/15	L316EXRAI10/16	L316EXRAI10/18	L316EXRAI10/20	L316EXRAI10/22	L316EXRAI10/25	L316EXRAI10/30	54	150	1
110			L316EXRCI11/08	L316EXRCI11/10		L316EXRAI11/12	L316EXRAI11/13	L316EXRAI11/14	L316EXRAI11/15	L316EXRAI11/16	L316EXRAI11/18	L316EXRAI11/20	L316EXRAI11/22	L316EXRAI11/25	L316EXRAI11/30	54	155	1
120			L316EXRCI12/08	L316EXRCI12/10	L316EXRCI12/11		L316EXRAI12/13	L316EXRAI12/14	L316EXRAI12/15	L316EXRAI12/16	L316EXRAI12/18	L316EXRAI12/20	L316EXRAI12/22	L316EXRAI12/25	L316EXRAI12/30	54	155	1
130			L316EXRCI13/08	L316EXRCI13/10	L316EXRCI13/11	L316EXRCI13/12		L316EXRAI13/14	L316EXRAI13/15	L316EXRAI13/16	L316EXRAI13/18	L316EXRAI13/20	L316EXRAI13/22	L316EXRAI13/25	L316EXRAI13/30	54	150	1
140			L316EXRCI14/08	L316EXRCI14/10	L316EXRCI14/11	L316EXRCI14/12	L316EXRCI14/13		L316EXRAI14/15	L316EXRAI14/16	L316EXRAI14/18	L316EXRAI14/20	L316EXRAI14/22	L316EXRAI14/25	L316EXRAI14/30	54	150	1
150			L316EXRCI15/08	L316EXRCI15/10	L316EXRCI15/11	L316EXRCI15/12	L316EXRCI15/13	L316EXRCI15/14		L316EXRAI15/16	L316EXRAI15/18	L316EXRAI15/20	L316EXRAI15/22	L316EXRAI15/25	L316EXRAI15/30	54	150	1
160			L316EXRCI16/08	L316EXRCI16/10	L316EXRCI16/11	L316EXRCI16/12	L316EXRCI16/13	L316EXRCI16/14	L316EXRCI16/15		L316EXRAI16/18	L316EXRAI16/20	L316EXRAI16/22	L316EXRAI16/25	L316EXRAI16/30	54	180	1
180			L316EXRCI18/08	L316EXRCI18/10	L316EXRCI18/11	L316EXRCI18/12	L316EXRCI18/13	L316EXRCI18/14	L316EXRCI18/15	L316EXRCI18/16		L316EXRAI18/20	L316EXRAI18/22	L316EXRAI18/25	L316EXRAI18/30	54	155	1
200			L316EXRCI20/08	L316EXRCI20/10	L316EXRCI20/11	L316EXRCI20/12	L316EXRCI20/13	L316EXRCI20/14	L316EXRCI20/15	L316EXRCI20/16	L316EXRCI20/18		L316EXRAI20/22	L316EXRAI20/25	L316EXRAI20/30	54	155	1
220			L316EXRCI22/08	L316EXRCI22/10	L316EXRCI22/11	L316EXRCI22/12	L316EXRCI22/13	L316EXRCI22/14	L316EXRCI22/15	L316EXRCI22/16	L316EXRCI22/18	L316EXRCI22/20		L316EXRAI22/25	L316EXRAI22/30	54	190	1
250			L316EXRCI25/08	L316EXRCI25/10	L316EXRCI25/11	L316EXRCI25/12	L316EXRCI25/13	L316EXRCI25/14	L316EXRCI25/15	L316EXRCI25/16	L316EXRCI25/18	L316EXRCI25/20	L316EXRCI25/22		L316EXRAI25/30	54	185	1
300			L316EXRCI30/08	L316EXRCI30/10	L316EXRCI30/11	L316EXRCI30/12	L316EXRCI30/13	L316EXRCI30/14	L316EXRCI30/15	L316EXRCI30/16	L316EXRCI30/18	L316EXRCI30/20	L316EXRCI30/22	L316EXRCI30/25		54	190	1

Ø 60 Guarnizione compresa nel prezzo e nella fornitura
Items supplied with seal included

! Combinazioni diverse disponibili a richiesta
Different combinations available on request

Non disponibile
Not available

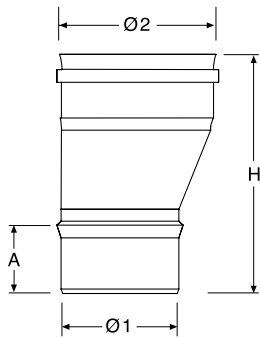
MONOPARETE - SINGLE WALL AISI 316L



L316EXRAIEC.../...

Aumento di diametro eccentrico.

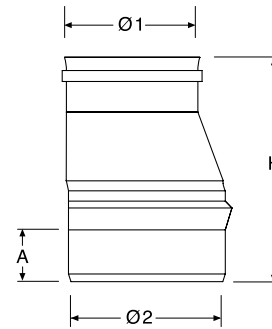
Eccentric increaser.



L316EXRCIEC.../...

Riduzione di diametro eccentrico

Eccentric reducer.



Ø2

Ø1	80	100	110	120	130	140	150	160	180	200	220	250	300	A	H	PCS
60	L316EXRAIEC0608	L316EXRAIEC0610	#	#	#	#	#	#	#	#	#	#	#	54	180	1
80		L316EXRAIEC0810	L316EXRAIEC0811	L316EXRAIEC0812	L316EXRAIEC0813	L316EXRAIEC0814	L316EXRAIEC0815	L316EXRAIEC0816	L316EXRAIEC0818	L316EXRAIEC0820	L316EXRAIEC0822	L316EXRAIEC0825	L316EXRAIEC0830	54	175	1
100	L316EXRCIEC1008		L316EXRAIEC1011	L316EXRAIEC1012	L316EXRAIEC1013	L316EXRAIEC1014	L316EXRAIEC1015	L316EXRAIEC1016	L316EXRAIEC1018	L316EXRAIEC1020	L316EXRAIEC1022	L316EXRAIEC1025	L316EXRAIEC1030	54	150	1
110	L316EXRCIEC1108	L316EXRCIEC1110		L316EXRAIEC1112	L316EXRAIEC1113	L316EXRAIEC1114	L316EXRAIEC1115	L316EXRAIEC1116	L316EXRAIEC1118	L316EXRAIEC1120	L316EXRAIEC1122	L316EXRAIEC1125	L316EXRAIEC1130	54	155	1
120	L316EXRCIEC1208	L316EXRCIEC1210	L316EXRCIEC1211		L316EXRAIEC1213	L316EXRAIEC1214	L316EXRAIEC1215	L316EXRAIEC1216	L316EXRAIEC1218	L316EXRAIEC1220	L316EXRAIEC1222	L316EXRAIEC1225	L316EXRAIEC1230	54	155	1
130	L316EXRCIEC1308	L316EXRCIEC1310	L316EXRCIEC1311	L316EXRCIEC1312		L316EXRAIEC1314	L316EXRAIEC1315	L316EXRAIEC1316	L316EXRAIEC1318	L316EXRAIEC1320	L316EXRAIEC1322	L316EXRAIEC1325	L316EXRAIEC1330	54	150	1
140	L316EXRCIEC1408	L316EXRCIEC1410	L316EXRCIEC1411	L316EXRCIEC1412	L316EXRCIEC1413		L316EXRAIEC1415	L316EXRAIEC1416	L316EXRAIEC1418	L316EXRAIEC1420	L316EXRAIEC1422	L316EXRAIEC1425	L316EXRAIEC1430	54	150	1
150	L316EXRCIEC1508	L316EXRCIEC1510	L316EXRCIEC1511	L316EXRCIEC1512	L316EXRCIEC1513	L316EXRCIEC1514		L316EXRAIEC1516	L316EXRAIEC1518	L316EXRAIEC1520	L316EXRAIEC1522	L316EXRAIEC1525	L316EXRAIEC1530	54	150	1
160	L316EXRCIEC1608	L316EXRCIEC1610	L316EXRCIEC1611	L316EXRCIEC1612	L316EXRCIEC1613	L316EXRCIEC1614	L316EXRCIEC1615		L316EXRAIEC1618	L316EXRAIEC1620	L316EXRAIEC1622	L316EXRAIEC1625	L316EXRAIEC1630	54	180	1
180	L316EXRCIEC1808	L316EXRCIEC1810	L316EXRCIEC1811	L316EXRCIEC1812	L316EXRCIEC1813	L316EXRCIEC1814	L316EXRCIEC1815	L316EXRCIEC1816		L316EXRAIEC1820	L316EXRAIEC1822	L316EXRAIEC1825	L316EXRAIEC1830	54	155	1
200	L316EXRCIEC2008	L316EXRCIEC2010	L316EXRCIEC2011	L316EXRCIEC2012	L316EXRCIEC2013	L316EXRCIEC2014	L316EXRCIEC2015	L316EXRCIEC2016	L316EXRCIEC2018		L316EXRAIEC2022	L316EXRAIEC2025	L316EXRAIEC2030	54	155	1
220	L316EXRCIEC2208	L316EXRCIEC2210	L316EXRCIEC2211	L316EXRCIEC2212	L316EXRCIEC2213	L316EXRCIEC2214	L316EXRCIEC2215	L316EXRCIEC2216	L316EXRCIEC2218	L316EXRCIEC2220		L316EXRAIEC2225	L316EXRAIEC2230	54	190	1
250	L316EXRCIEC2508	L316EXRCIEC2510	L316EXRCIEC2511	L316EXRCIEC2512	L316EXRCIEC2513	L316EXRCIEC2514	L316EXRCIEC2515	L316EXRCIEC2516	L316EXRCIEC2518	L316EXRCIEC2520	L316EXRCIEC2522		L316EXRAIEC2530	54	185	1
300	L316EXRCIEC3008	L316EXRCIEC3010	L316EXRCIEC3011	L316EXRCIEC3012	L316EXRCIEC3013	L316EXRCIEC3014	L316EXRCIEC3015	L316EXRCIEC3016	L316EXRCIEC3018	L316EXRCIEC3020	L316EXRCIEC3022	L316EXRCIEC3025		54	190	1

Ø 60 Guarnizione compresa nel prezzo e nella fornitura
Items supplied with seal included

! Combinazioni diverse disponibili a richiesta
Different combinations available on request

Non disponibile
Not available



L316EXPIMP

Portello murale per ispezione (110 x 185).
Wall door inspection (110 x 185).

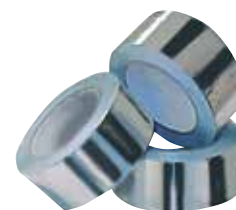
COD.	PCS
L316EXPIMP	1



L316EXPIMG

Portello murale per ispezione (200 x 290).
Wall door inspection (200 x 290).

COD.	PCS
L316EXPIMG	1



316EXNS

Nastro + Alu h 50 - lunghezza 50 m
Tape + Alu h 50 - length 50 m

COD.	PCS
316EXNS	1



316EXCOPPLM20

Materassino lana di roccia sp. 20 mm + Alu.
Lunghezza 8 m.

Rock wool mattress thickness 20 mm + Alu.
8 meters long.

COD.	PCS
316EXCOPPLM20	1



MATFB96

Isolante per alte temperature fibra biosolubile
senza rivestimento in alluminio. Densità 96
kg/m³, sp. 25 mm, 7320 x 610 mm.
A richiesta densità 128 kg/m³.

High temperature insulation biosoluble fiber
without aluminum coating. Density 96
kg/m³, thickness 25 mm, 7320 x 610 mm.
Density 128 kg/m³ on request.

COD.	PCS
MATFB96	1



MATFBAL96

Isolante per alte temperature fibra biosolubile
con rivestimento in alluminio. Densità 96
kg/m³, sp. 25 mm, 9320 x 610 mm.
A richiesta densità 128 kg/m³.

High temperature insulation biosoluble fiber
with aluminum coating. Density 96
kg/m³, thickness 25 mm, 9320 x 610 mm.
Density 128 kg/m³ on request.

COD.	PCS
MATFBAL96	1



EXISO...

Coppella spessore 30 mm + Alu (h m 1).
Solo confezione.

Rock wool thickness 30 mm + Alu (h m 1).
Whole box only.

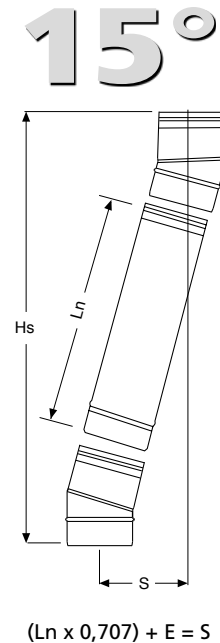
Ø	COD.	PCS
80	EXISO80	1
100	EXISO100	1
120	EXISO120	1
130	EXISO130	1
140	EXISO140	1
150	EXISO150	1
160	EXISO160	1
180	EXISO180	1
200	EXISO200	1
250	EXISO250	1
300	EXISO300	1

MONOPARETE - SINGLE WALL AISI 316L

DISASSAMENTO - CENTER OFFSET

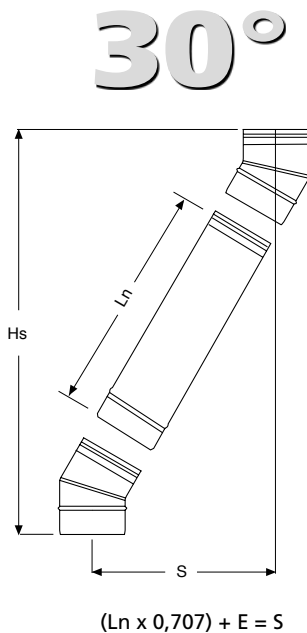
DISASSAMENTO CON DOPPIA CURVA 15° CENTER OFFSET WITH DOUBLE 15° ELBOW

MONOPARETE SINGLE WALL Ø	0 m = E		0,25 m		0,33 m		0,50 m		1 m	
	S	Hs	S	Hs	S	Hs	S	Hs	S	Hs
80	28	214	76	396	96	473	138	636	263	1116
100	29	219	77	401	97	478	139	641	264	1121
110	29	221	77	403	97	480	139	643	264	1123
120	29	232	77	414	97	491	139	654	264	1134
130	30	227	78	409	98	486	140	649	265	1129
140	30	229	78	411	98	488	140	651	265	1131
150	30	232	78	414	98	491	140	654	265	1134
160	30	234	78	416	98	493	140	656	265	1136
180	32	240	80	422	100	499	142	662	267	1142
200	33	246	81	428	101	505	143	668	268	1148
220	34	250	82	432	102	509	144	672	269	1152
250	34	258	82	440	102	517	144	680	269	1160
300	35	271	83	453	103	530	145	693	270	1173
350	37	284	85	466	105	543	147	706	272	1186
400	39	297	87	479	107	556	149	719	274	1199
450	41	309	89	491	109	568	151	731	276	1211
500	42	322	90	504	110	581	152	744	277	1224
550	44	335	92	517	112	594	154	757	279	1237
600	46	348	94	530	114	607	156	770	281	1250



MSW

DISASSAMENTO CON DOPPIA CURVA 30° CENTER OFFSET WITH DOUBLE 30° ELBOW



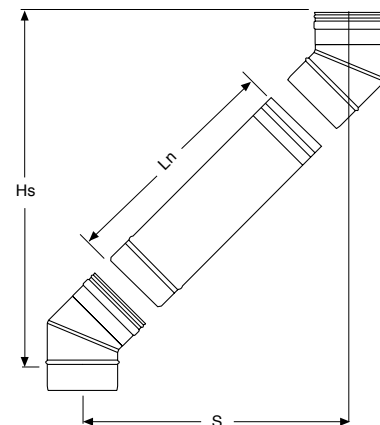
MONOPARETE SINGLE WALL Ø	0 m = E		0,25 m		0,33 m		0,50 m		1 m	
	S	Hs	S	Hs	S	Hs	S	Hs	S	Hs
80	60	223	155	386	195	455	280	601	530	1031
100	62	233	157	396	292	629	282	611	532	1041
110	64	238	159	401	294	634	284	616	534	1046
120	65	243	160	406	295	639	285	621	535	1051
130	67	248	162	411	297	644	287	626	537	1056
140	68	253	163	416	298	649	288	631	538	1061
150	69	258	164	421	299	654	289	636	539	1066
160	70	263	165	426	300	659	290	641	540	1071
180	73	273	168	436	303	669	293	651	543	1081
200	76	283	171	446	306	679	296	661	546	1091
220	89	293	184	456	319	689	309	671	559	1101
250	82	308	177	471	312	704	302	686	552	1116
300	89	333	184	496	319	729	309	711	559	1141
350	96	358	191	521	326	754	316	736	566	1166
400	103	383	198	546	333	779	323	761	573	1191
450	109	408	204	571	339	804	329	786	579	1216
500	116	433	211	596	346	829	336	811	586	1241
550	123	459	218	622	353	855	343	837	593	1267
600	129	483	224	646	359	879	349	861	599	1291

1 m Ln = 940 mm
0,50 m Ln = 440 mm
0,33 m Ln = 270 mm
0,25 m Ln = 190 mm

DISASSAMENTO CON DOPPIA CURVA 45° CENTER OFFSET WITH DOUBLE 45° ELBOW

MONOPARETE SINGLE WALL Ø	0 m = E		0,25 m		0,33 m		0,50 m		1 m	
	S	Hs	S	Hs	S	Hs	S	Hs	S	Hs
80	83	202	217	336	274	393	394	513	748	867
100	89	216	223	350	280	407	400	527	754	881
110	92	223	226	357	283	414	403	534	757	888
120	95	230	229	364	286	421	406	541	760	895
130	98	240	232	374	289	431	409	551	763	905
140	101	244	235	378	292	435	412	555	766	909
150	104	251	238	385	295	442	415	562	769	916
160	107	258	241	392	298	449	418	569	772	923
180	113	272	247	406	304	463	424	583	778	937
200	119	286	253	420	310	477	430	597	784	951
220	124	301	258	435	315	492	435	612	789	966
250	133	322	267	456	324	513	444	633	798	987
300	148	357	282	491	339	548	459	668	813	1022
350	161	389	295	523	352	580	472	700	826	1054
400	176	425	310	559	367	616	487	736	841	1090
450	190	460	324	594	381	651	501	771	855	1125
500	205	495	339	629	396	686	516	806	870	1160
550	220	531	354	665	411	722	531	842	885	1196
600	234	566	368	700	425	757	545	877	899	1231

45°



$$(Ln \times 0,707) + E = S$$

1 m Ln = 940 mm
0,50 m Ln = 440 mm
0,33 m Ln = 270 mm
0,25 m Ln = 190 mm

TABELLA CONFEZIONI MINIME / TABLE OF MINIMUM PACKAGING

COD.		Ø 60	Ø 80	Ø 100	Ø 120	Ø 130	Ø 140	Ø 150
L316EXGA45X	Curva 45° / Elbow 45°	6	6	6	6	6	6	6
L316EXGA90X	Curva 90° / Elbow 90°	6	6	6	6	6	6	6
L316EXGA87S	Curva 87° / Elbow 87°	6	6	6	6	6	6	6
L316EXEPS2S	Elemento telescopico / Adjustable pipe		6					
L316EXCAIS	Cappello cinese / Rain cap	6	6	6	6	6	6	6
L316EXFACSS	Fascetta di sicurezza / Locking band	6	6	6	6	6	6	6
L316EXCOLSS	Collare a muro / Wall bracket	6	6	6	6	6	6	6
BFL316CREG	Collare a muro regolabile / Adjustable wall bracket		6	6	6	6	6	6
L316EX3LGN	Guarnizione in silicone / Silicon seal		6	6	6	6	6	6
L316EXT69S	T 90° / 90° tee	6	6	6	6	6	6	6
L31604EXTA20S	Elemento lineare 2 m / Pipe 2 m	6	6	6				
L316EXTA1S	Elemento lineare 1 m / Pipe 1 m	6	6	6	6	6	6	6
L316EXTA5S	Elemento lineare 0,50 m / Pipe 0.50 m	6	6	6	6	6	6	6
L316EXTA2S	Elemento lineare 0,25 m / Pipe 0.25 m	6	6	6	6	6	6	6
L316EXSCARSS	Scarico condensa / Tee cap with condense drain	6	6	6	6	6	6	6
L316EXTC	Tappo cieco / Tee cap		6	6	6	6	6	6